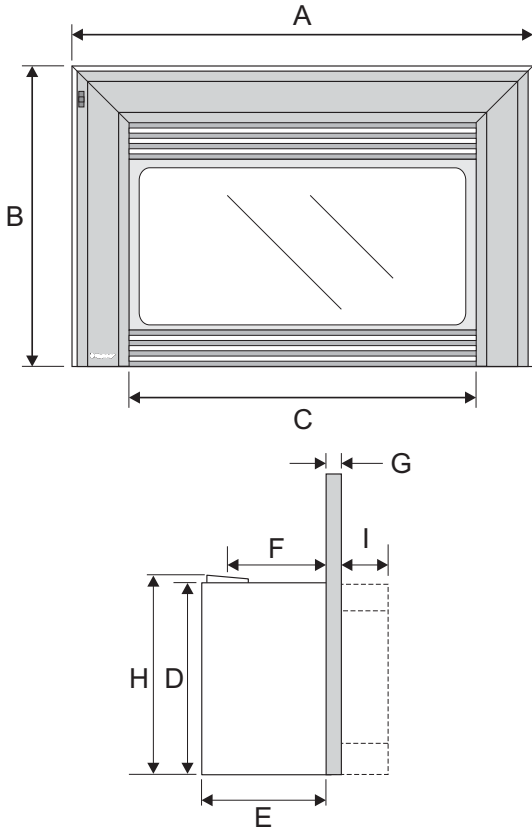


U32 Regency Gas Insert

## U32 Regency Gas Insert

Model	U32-NG5	U32-LP5
Fuel Type	Natural Gas	Propane
Minimum Supply Pressure	5" W.C. (1.25 kPa)	12" W.C. (2.99 kPa)
Manifold Pressure - High	3.8" W.C. (0.95 kPa)	11" W.C. (2.74 kPa)
Manifold Pressure - Low	1.1" W.C. (0.27 kPa)	2.9" W.C. (0.72 kPa)
Orifice Size -Altitude 0-4500 ft.	#37 DMS	#52 DMS
Minimum Input Altitude 0-4500 ft. (0-1372m)	15,300 BTU/h (4.48 kW)	15,000 BTU/h (4.40 kW)
Maximum Input Altitude 0-4500 ft. (0-1372m)	30,000 BTU/h (8.79 kW)	30,000 BTU/h (8.79 kW)
Vent Sizing	3" Co-linear	3" Co-linear

Approved Venting Systems	
Flex Vent Systems:	FPI AstroCap™ Flex Vent



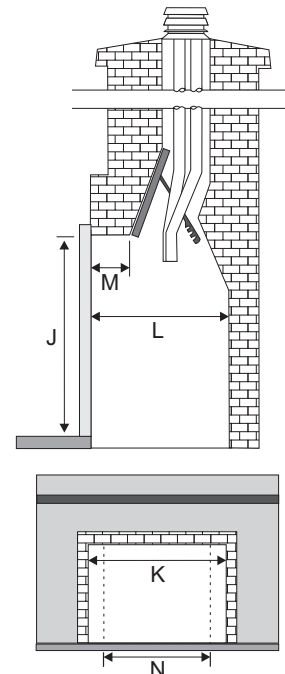
Dimension	Description	U32
A	Faceplate Width	40-1/4" (1022mm)
B	Faceplate Height	26-1/4" (667mm)
C	Unit Width	28" (711mm)
D	Unit Height	20" (508mm)
E	Unit Depth	13-3/4" (349mm)
F	Faceplate to Vent Centerline	10-3/4" (273mm)
G	Faceplate Depth	1-3/8" (35mm)
H	Height to Vent Collar	21-1/16" (535mm)
I	Optional or Standard Front Depth	3-3/4" (95mm)



Gas Inserts

### Minimum Fireplace Dimensions

The minimum fireplace dimensions for the FPI gas fireplace insert are shown in the following diagrams:



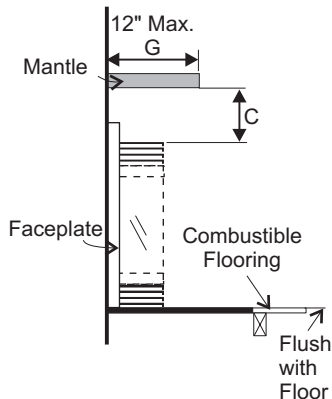
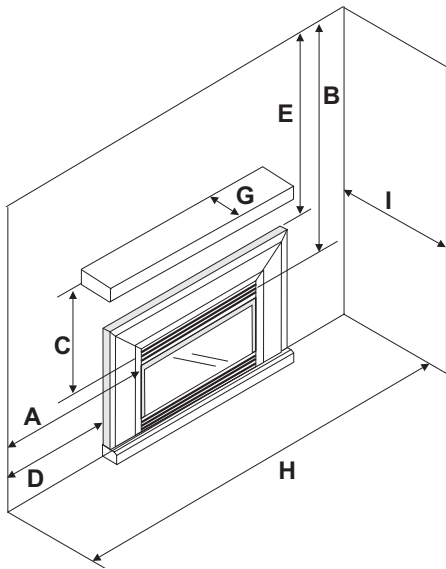
Dimension	Description	Contour Faceplate	Molded Faceplate
J	Height	22" (559mm)	22" (559mm)
K	Width	26-1/2" (673mm)	29" (737mm)
L	Depth	14" (356mm)	15" (381mm)
M	Max. Lintel Bar Depth	9" (229mm)	10" (254mm)
N	Rear Width	22-1/2" (572mm)	22-1/2" (572mm)

U32 Regency Gas Insert

## Clearances

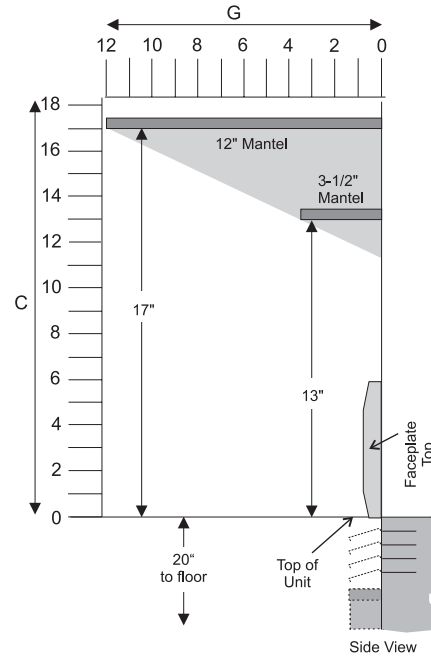
Unless otherwise stated the clearances listed below are Minimum distances to combustible materials. **Please Note: A major cause of chimney related fires is due to a failure to maintain required clearances (air space) to combustible materials. It is of the greatest importance that this fireplace and vent system be installed only in accordance with these instructions.**

Clearances to Combustibles		
Dimension	Description	U32
A	From Unit to Sides	10" (254mm)
B	From Unit to Ceiling	47.5" (1207mm)
C	From Unit to Mantel	see diagram 2 & 3
D	From Standard Surround to Sides	4" (102mm)
E	From Standard Surround to Ceiling	41.5" (1054mm) also see diagram 2 & 3
G	Maximum Mantel Depth	12" (305mm) see diagram 2
H	Minimum Alcove Width	48" (1219mm)
I	Maximum Alcove Depth	36" (914mm)
*	No Hearth Required	



## Combustible Mantels

**Because of the extreme heat this fireplace emits, the mantel clearances are critical.** Combustible mantel clearances from top of the louvers are shown in the diagram below. Mantel may be installed anywhere in the shaded area or higher.



**Note:** A non-combustible mantel may be installed at a lower height.

**Note:** Ensure the paint that is used on the mantel and the facing is "heat resistant" or the paint may discolour.