



**P121 / P121LC / P121RC / P131  
Zero Clearance Direct Vent Gas Fireplace**

**Owners &  
Installation Manual**



[www.regency-fire.com](http://www.regency-fire.com)

STYLE	MODEL	
See Thru	P121-NG2 Natural Gas	P121-LP2 Propane
Left Corner	P121LC-NG2 Natural Gas	P121LC-LP2 Propane
Right Corner	P121RC-NG2 Natural Gas	P121RC-LP2 Propane
Pier	P131-NG2 Natural Gas	P131-LP2 Propane

**WARNING:**

If the information in these instructions are not followed exactly, a fire or explosion may result causing property damage, personal injury or loss of life.

**FOR YOUR SAFETY**

Do not store or use gasoline or other flammable vapours and liquids in the vicinity of this or any other appliance.

Installation and service must be performed by a qualified installer, service agency or the gas supplier.

**FOR YOUR SAFETY**

What to do if you smell gas:

- Do not try to light any appliance
- Do not touch any electrical switch: do not use any phone in your building.
- Immediately call your gas supplier from a neighbour's phone. Follow the gas supplier's instructions.
- If you cannot reach your gas supplier, call the fire department.



*Installer:* Please complete the details on the back cover and leave this manual with the homeowner.  
*Homeowner:* Please keep these instructions for future reference.

**To the New Owner:**

Congratulations!

You are the owner of a state-of-the-art Gas Fireplace by REGENCY®. The P121 / P121LC / P121RC / P131 is a hand crafted appliance and has been designed to provide you with all the warmth and charm of a wood fireplace at the flick of a switch. The model P121 / P121LC / P121RC / P131 has been approved by Intertek for both safety and efficiency. As it also bears our own mark, it promises to provide you with economy, comfort and security for many trouble free years to follow. Please take a moment now to acquaint yourself with these instructions and the many features of your Regency® Fireplace.

**IMPORTANT:** If the unit is to be installed into a bathroom, optional Neo ceramic glass Part# 360-946 Front or Part# 360-948 Side must be purchased and installed in place of the tempered glass supplied with the unit.



# WARNING



**HOT GLASS WILL  
CAUSE BURNS**

**DO NOT TOUCH GLASS  
UNTIL COOLED**

**NEVER ALLOW CHILDREN  
TO TOUCH GLASS**



**NATIONAL  
FIREPLACE  
INSTITUTE**  
**CERTIFIED**  
www.nficertified.org

We recommend that our products be installed and serviced by professionals who are certified in the U.S. by the National Fireplace Institute® (NFI) or in Canada by Wood Energy Technical Training (WETT).



Wood Energy  
Technical Training  
www.wettinc.ca



---

## **MANUFACTURED MOBILE HOME REQUIREMENTS**

### **INFORMATION FOR MOBILE/MANUFACTURED HOMES AFTER FIRST SALE**

This Regency® product has been tested and listed by Intertek as a Direct Vent Wall Furnace to the following standards: VENTED GAS FIREPLACE HEATERS ANSI Z21.88a-2007/CSA 2.33a-2007 and GAS-FIRED APPLIANCES FOR USE AT HIGH ALTITUDES CAN/CGA 2.17-M91.

This Direct Vent System Appliance must be installed in accordance with the manufacturer's installation instructions and the Manufactured Home Construction and Safety Standard, Title 24 CFR, Part 3280, or the current Standard of Fire Safety Criteria for Manufactured Home Installations, Sites, and Communities ANSI/NFPA 501A, and with CAN/CSA Z240-MH Mobile Home Standard in Canada.

This appliance installation must comply with the manufacturer's installation instructions and local codes, if any. In the absence of local codes follow the current National Fuel Gas Code, ANSI Z223.1 and the current National Electrical Code ANSI/NFPA 70 in the U.S.A., and the current CAN/CGA B149 Gas Installation Code and the current Canadian Electrical Code CSA C22.1 in Canada.

This Regency® mobile/manufactured home listed appliance comes factory equipped with four 1/4" diameter holes located near each corner of the base. Fasten the fireplace in place using screw, inserted through the holes.

This appliance comes equipped with a dedicated #8 Ground Lug for attachment of the ground wire to the steel chassis as applicable to local codes. See the "Wiring Diagram" section.

The appliance, when installed, must be electrically grounded in accordance with local codes or, in the absence of local codes, with the National Electrical Code, ANSI/NFPA 70, or the Canadian Electrical Code, CSA C22.1.

This appliance may only be installed in an aftermarket permanently located, manufactured (U.S.A only) or mobile home, where not prohibited by local codes.

This appliance can only be used with the type of gas indicated on the rating plate. This appliance is not convertible for use with other cases, unless a certified kit is used.

Ensure that structural members are not cut or weakened during installation.

# TABLE OF CONTENTS

## SAFETY LABEL

Copy of the Safety Label .....	5
--------------------------------	---

## DIMENSION

Unit Dimensions .....	7
-----------------------	---

## INSTALLATION

General Safety .....	10
Information .....	10
Installation Checklist .....	10
Locating Your Gas Fireplace .....	11
Clearances .....	12
Combustible Mantels .....	12
Framing And Finishing .....	13
Unit Assembly Prior To Installation .....	14
Venting Introduction .....	14
Exterior Vent Termination Locations .....	15
4" x 6-5/8" Rigid Pipe Cross Reference Chart .....	16
Venting Arrangement - Horizontal Terminations .....	18
Rigid Pipe Venting Systems .....	19
Horizontal or Vertical Terminations .....	19
Rigid Pipe Venting Arrangements .....	20
Horizontal Terminations .....	20
Horizontal terminations .....	24
Vertical Terminations .....	25
Installation Procedures .....	26
Conversion From NG To LP .....	27
High Elevation .....	30
Gas Line Installation .....	30
Pilot Adjustment .....	30
Gas Pipe Pressure Testing .....	30
Log Set Installation .....	31
Glass Door Removal .....	33
Finishing Trim .....	33
Louvers & Grills .....	33
Option 1: Remote Control .....	34
Option 2: Wall Switch .....	34
Option 3: Wall Thermostat .....	34
Wiring Diagrams .....	35

## OPERATING INSTRUCTIONS

Operating Instructions .....	37
Lighting Procedure .....	37
Shutdown Procedure .....	37
First Fire .....	37
Aeration Adjustment .....	37
Copy of The Lighting Plate Instructions .....	38
Normal Operating Sounds Of Gas Appliances .....	38
Maintenance Instructions .....	39
Log Replacement .....	39
Thermopile / Thermocouple .....	39
Door Glass .....	39
Gold-plated Accessories .....	39

## MAINTENANCE

Removing Valve .....	40
Installing Valve .....	41
Fan Replacement .....	41

## PARTS LIST

P121-2 (See Thru) Main Assembly .....	42
P131-2 (Pier) Main Assembly .....	43
P121rc-2 (Right Corner) Main Assembly .....	44
P121lc-2 (Left Corner) Main Assembly .....	45
P121/p121lc/p121rc/p131-2 Burner Assembly & Log Set	46

## WARRANTY

Warranty .....	47
----------------	----

This is a copy of the label that accompanies each P121-2/P121LC-2/P121RC-2/P131-2 Zero Clearance Direct Vent Gas Fireplace. We have printed a copy of the contents here for your review. The safety label is located on the front inside base of the unit, visible when the bottom louver is open.

NOTE: Regency® units are constantly being improved. Check the label on the unit and if there is a difference, the label on the unit is the correct one.

**Copy of Safety Decal for P121/P121LC/P121RC/P131**

Duplicate S/N

304

**DO NOT REMOVE THIS LABEL / NE PAS ENLEVER CETTE ÉTIQUETTE**  
Serial No./ No de serie



304

**Listed:** VENTED GAS FIREPLACE HEATER/FOYER AU GAZ À ÉVACUATION **DO NOT REMOVE THIS LABEL / NE PAS ENLEVER CETTE ÉTIQUETTE**  
**Certified for/Certifié pour:** CANADA and U.S.A.  
**Tested to:** Gas-Fired Appliances For Use At High Altitudes CAN/CGA-2.17-M91,  
US Vented Gas Fireplace Heaters ANSI Z21.88a-2007/CSA 2.33a-2007  
WIN# 16474

**NATURAL GAS: Model/Modèle: P121-NG2, P131-NG2, P121RC-NG2, P121LC-NG2**

Minimum supply pressure	5" WC (1.25 kPa)	Pression d'alimentation minimum
Manifold pressure high	3.8" WC (0.95 kPa)	Pression à la tubulure d'échappement élevée
Manifold pressure low	1.1" WC (0.27 kPa)	Pression à la tubulure d'échappement basse
Orifice size	# 31 DMS	Grandeur de l'injecteur
Minimum input	20,500 Btu/h (6.01 kW)	Débit Calorifique minimum selon l'altitude
Maximum input	40,000 Btu/h (11.72 kW)	Débit Calorifique maximum selon l'altitude

**PROPANE: Model/Modèle: P121-LP2, P131-LP2, P121RC-LP2, P121LC-LP2**

Minimum supply pressure	12" WC (3.00 kPa)	Pression d'alimentation minimum
Manifold pressure high	11" WC (2.74 kPa)	Pression à la tubulure d'échappement élevée
Manifold pressure low	2.9" WC (0.72 kPa)	Pression à la tubulure d'échappement basse
Orifice size	# 50 DMS	Grandeur de l'injecteur
Minimum input	20,600 Btu/h (6.04 kW)	Débit Calorifique minimum selon l'altitude
Maximum input	39,000 Btu/h (11.43 kW)	Débit Calorifique maximum selon l'altitude

**Minimum Clearances to Combustibles / Degagement Minimum De Matériaux Combustibles**

0" Mantel Height from Base of Unit: Min. 39" (991mm)	Minimum Vent Clearances:
Side Wall Clearance from Side Facing 0" (0mm)	Horizontal Top 2-1/2" (64mm)
	Horizontal Side 1-1/2" (38mm)
	Horizontal Bottom 1-1/2" (38mm)

(See Instruction Manual for Detailed Instructions) **DOOR SEAL: Please check that the door is properly sealed**

**VENTED GAS FIREPLACE HEATER - NOT FOR USE WITH SOLID FUELS. / FOYER AU GAZ À ÉVACUATION - NE PAS UTILISER AVEC DU COMBUSTIBLE SOLIDE.**

Model: P121-NG2 P131-NG2 P121LC-NG2 P121RC-NG2 P121-LP2 P131-LP2 P121LC-LP2 P121RC-LP2

For the State of Massachusetts, installation and repair must be done by a plumber or gasfitter licensed in the Commonwealth of Massachusetts.

For the State of Massachusetts, flexible connectors shall not exceed 36 inches in length.

For the State of Massachusetts, the appliances individual manual shut-off must be a t-handle type valve.

The State of Massachusetts requires the installation of a carbon monoxide alarm in accordance with NFPA 720 and a CO alarm with battery back up in the same room where the gas appliance is installed.

This appliance must be installed in accordance with local codes, if any; if none, follow the National Fuel Gas Code, ANSI Z223.1, or Natural Gas and Propane Installation Code, CSA B149.1.  
This appliance must be installed in accordance with the Standard CAN/CSA Z240 MH, Mobile Housing, in Canada, or with the Manufactured Home Construction and Safety Standard, Title 24 CFR, Part 3280, in the United States, or when such a standard is not applicable, ANSI/CSBCS A225.1/NFPA 501A, Manufactured Home Installations Standard or ANSI A119.2 or NFPA 501C Standard for Recreational Vehicles.  
This appliance is only for use with the type of gas indicated on the rating plate and may be installed in an aftermarket, permanently located, manufactured (mobile) home where not prohibited by local codes. See owner's manual for details.  
Installez l'appareil selon les codes ou règlements locaux, ou, en l'absence de tels règlements, selon les codes d'installation ANSI Z223.1, National Fuel Gas Code ou CSA-B149.1 en vigueur.  
Installez l'appareil selon la norme CAN/CSA-Z240, Série MM, Maison mobiles ou CAN/CSA-Z240/VC, Véhicules de camping, ou la norme 24 CFR Part 3280, Manufactured Home Construction and Safety Standard. Si ces normes ne sont pas pertinentes, utilisez la norme ANSI/CSBCS A225.1/NFPA 501A, Manufactured Home Installations Standard, ou ANSI A119.2 ou NFPA 501C Standard for Recreational Vehicles.  
Cet appareil doit être utilisé uniquement avec le type de gaz indiqué sur la plaque signalétique. Cet appareil peut être installé dans une maison préfabriquée ou mobile (E-U, seulement) installée à demeure si les règlements locaux le permettent. Voir la notice de l'utilisateur pour plus de renseignements. Cet appareil ne peut pas être utilisé avec d'autres gaz sauf si une trousse de conversion certifiée est fournie.

**This vented gas fireplace heater is not for use with air filters. Ne pas utiliser de filtre à air avec ce foyer au gaz à évacuation.**  
For use with glass doors certified with the appliance only.  
Pour utilisation uniquement avec les portes en verre certifiées avec l'appareil.  
Electrical supply / Électrique 115VAC, 1.13A, 60Hz  
918-497a  
Made in Canada / Fabriqué au Canada

## MA Code - CO Detector (for the State of Massachusetts only)

### 5.08: Modifications to NFPA-54, Chapter 10

(2) Revise 10.8.3 by adding the following additional requirements:

(a) For all side wall horizontally vented gas fueled equipment installed in every dwelling, building or structure used in whole or in part for residential purposes, including those owned or operated by the Commonwealth and where the side wall exhaust vent termination is less than seven (7) feet above finished grade in the area of the venting, including but not limited to decks and porches, the following requirements shall be satisfied:

1. **INSTALLATION OF CARBON MONOXIDE DETECTORS.** At the time of installation of the side wall horizontal vented gas fueled equipment, the installing plumber or gasfitter shall observe that a hard wired carbon monoxide detector with an alarm and battery back-up is installed on the floor level where the gas equipment is to be installed. In addition, the installing plumber or gasfitter shall observe that a battery operated or hard wired carbon monoxide detector with an alarm is installed on each additional level of the dwelling, building or structure served by the side wall horizontal vented gas fueled equipment. It shall be the responsibility of the property owner to secure the services of qualified licensed professionals for the installation of hard wired carbon monoxide detectors

a. In the event that the side wall horizontally vented gas fueled equipment is installed in a crawl space or an attic, the hard wired carbon monoxide detector with alarm and battery back-up may be installed on the next adjacent floor level.

b. In the event that the requirements of this subdivision can not be met at the time of completion of installation, the owner shall have a period of thirty (30) days to comply with the above requirements; provided, however, that during said thirty (30) day period, a battery operated carbon monoxide detector with an alarm shall be installed.

2. **APPROVED CARBON MONOXIDE DETECTORS.** Each carbon monoxide detector as required in accordance with the above provisions shall comply with NFPA 720 and be ANSI/UL 2034 listed and IAS certified.

3. **SIGNAGE.** A metal or plastic identification plate shall be permanently mounted to the exterior of the building at a minimum height of eight (8) feet above grade directly in line with the exhaust vent terminal for the horizontally vented gas fueled heating appliance or equipment. The sign shall read, in print size no less than one-half (1/2) inch in size, "**GAS VENT DIRECTLY BELOW. KEEP CLEAR OF ALL OBSTRUCTIONS**".

4. **INSPECTION.** The state or local gas inspector of the side wall horizontally vented gas fueled equipment shall not approve the installation unless, upon inspection, the inspector observes carbon monoxide detectors and signage installed in accordance with the provisions of 248 CMR 5.08(2)(a)1 through 4.

(b) **EXEMPTIONS:** The following equipment is exempt from 248 CMR 5.08(2)(a)1 through 4:

1. The equipment listed in Chapter 10 entitled "Equipment Not Required To Be Vented" in the most current edition of NFPA 54 as adopted by the Board; and

2. Product Approved side wall horizontally vented gas fueled equipment installed in a room or structure separate from the dwelling, building or structure used in whole or in part for residential purposes.

(c) **MANUFACTURER REQUIREMENTS - GAS EQUIPMENT VENTING SYSTEM PROVIDED.** When the manufacturer of Product Approved side wall horizontally vented gas equipment provides a venting system design or venting system components with the equipment, the instructions provided by the manufacturer for installation of the equipment and the venting system shall include:

1. Detailed instructions for the installation of the venting system design or the venting system components; and

2. A complete parts list for the venting system design or venting system.

(d) **MANUFACTURER REQUIREMENTS - GAS EQUIPMENT VENTING SYSTEM NOT PROVIDED.** When the manufacturer of a Product Approved side wall horizontally vented gas fueled equipment does not provide the parts for venting the flue gases, but identifies "special venting systems", the following requirements shall be satisfied by the manufacturer:

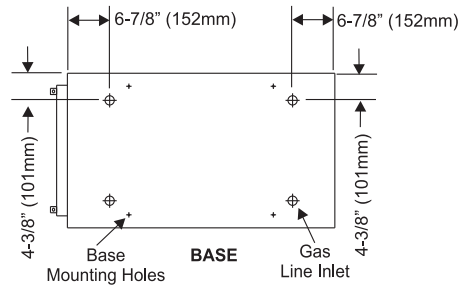
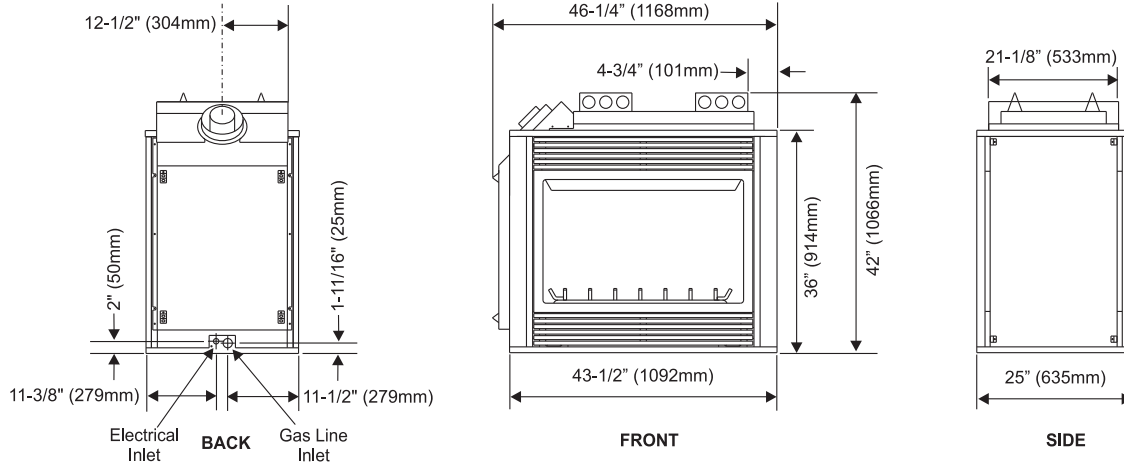
1. The referenced "special venting system" instructions shall be included with the appliance or equipment installation instructions; and

2. The "special venting systems" shall be Product Approved by the Board, and the instructions for that system shall include a parts list and detailed installation instructions.

(e) A copy of all installation instructions for all Product Approved side wall horizontally vented gas fueled equipment, all venting instructions, all parts lists for venting instructions, and/or all venting design instructions shall remain with the appliance or equipment at the completion of the installation.

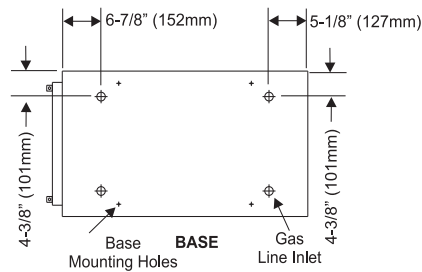
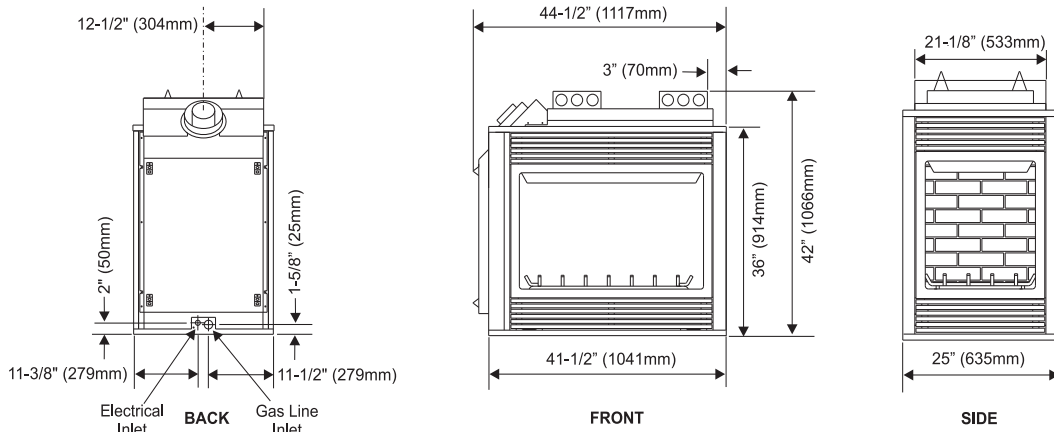
**SPECIFICATIONS**

**P121-2 See Thru**



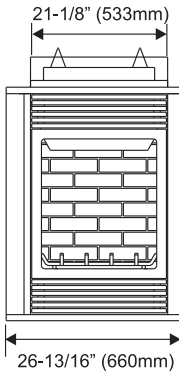
**Note: These units are non-load bearing.**

**P131-2 Pier**

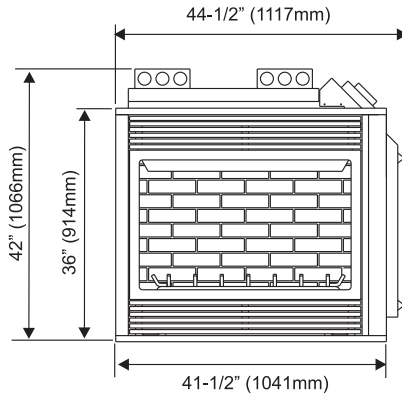


# DIMENSIONS

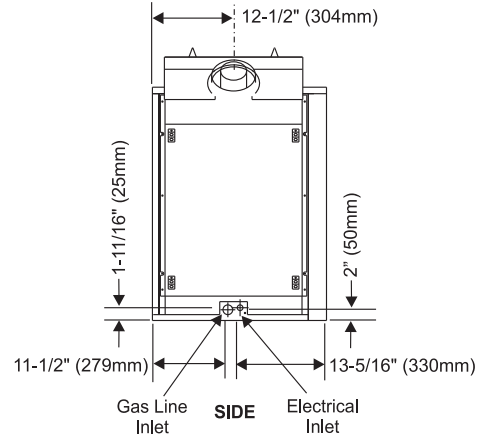
## P121LC-2 Left Corner Unit



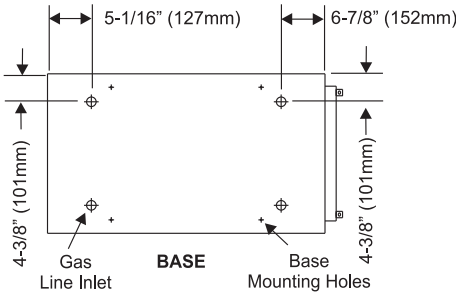
BACK



FRONT



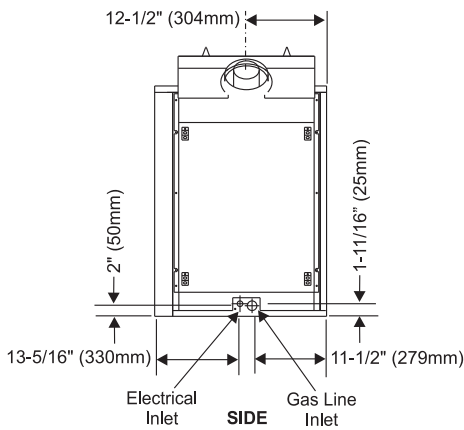
SIDE



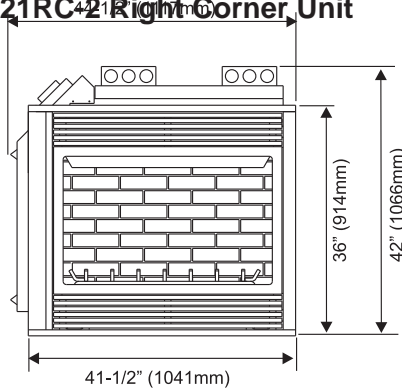
BASE

**Note: These units are non-load bearing.**

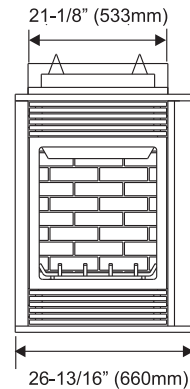
## P121RC-2 Right Corner Unit



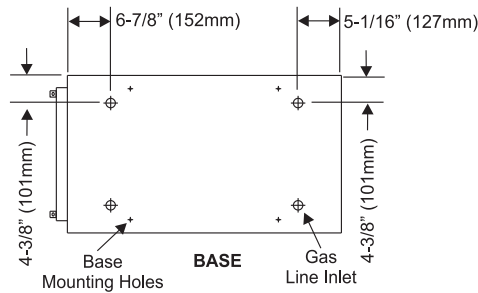
SIDE



FRONT



BACK



BASE



## IMPORTANT MESSAGE SAVE THESE INSTRUCTIONS

The Panorama P121/P121LC/P121RC/P131-NG1 or P121/P121LC/P121RC/P131-LP1 Direct Vent Fireplace must be installed in accordance with these instructions. Carefully read all the instructions in this manual first. Consult the "authority having jurisdiction" to determine the need for a permit prior to starting the installation. It is the responsibility of the installer to ensure this fireplace is installed in compliance with manufacturer's instructions and all applicable codes.

### BEFORE YOU START

Safe installation and operation of this appliance requires common sense, however, we are required by the Canadian Safety Standards and ANSI Standards to make you aware of the following:

**INSTALLATION AND REPAIR SHOULD BE DONE BY AN AUTHORIZED SERVICE PERSON. THE APPLIANCE SHOULD BE INSPECTED BEFORE USE AND AT LEAST ANNUALLY BY A PROFESSIONAL SERVICE PERSON. MORE FREQUENT CLEANING MAY BE REQUIRED DUE TO EXCESSIVE LINT FROM CARPETING, BEDDING MATERIAL, ETC. IT IS IMPERATIVE THAT CONTROL COMPARTMENTS, BURNERS AND CIRCULATING AIR PASSAGEWAYS OF THE APPLIANCE BE KEPT CLEAN.**

**DUE TO HIGH TEMPERATURES, THE APPLIANCE SHOULD BE LOCATED OUT OF TRAFFIC AND AWAY FROM FURNITURE AND DRAPERIES.**

**WARNING: FAILURE TO INSTALL THIS APPLIANCE CORRECTLY WILL VOID YOUR WARRANTY AND MAY CAUSE A SERIOUS HOUSE FIRE.**

**CHILDREN AND ADULTS SHOULD BE ALERTED TO THE HAZARDS OF HIGH SURFACE TEMPERATURES, ESPECIALLY THE FIREPLACE GLASS, AND SHOULD STAY AWAY TO AVOID BURNS OR CLOTHING IGNITION.**

**YOUNG CHILDREN SHOULD BE CAREFULLY SUPERVISED WHEN THEY ARE IN THE SAME AREA AS THE APPLIANCE. TODDLERS, YOUNG CHILDREN AND OTHERS MAY BE SUSCEPTIBLE TO ACCIDENTAL CONTACT BURNS. A PHYSICAL BARRIERS IS RECOMMENDED IF THERE ARE AT RISK INDIVIDUAL IN THE HOUSE. TO RESTRICT ACCESS TO A FIREPLACE OR STOVE, INSTALL AN ADJUSTABLE SAFETY GATE TO KEEP TODDLERS, YOUNG CHILDREN AND OTHER AT RISK INDIVIDUALS OUT OF THE ROOM AND AWAY FROM HOT SURFACES.**

**CLOTHING OR OTHER FLAMMABLE MATERIAL SHOULD NOT BE PLACED ON OR NEAR THE APPLIANCE.**



# INSTALLATION

## GENERAL SAFETY INFORMATION

- 1) The appliance installation must conform with local codes or, in the absence of local codes, with the current Canadian or National Gas Codes, CAN1-B149 or ANSI Z223.1 Installation Codes.
- 2) See general construction and assembly instructions. The appliance and vent should be enclosed.
- 3) This appliance must be connected to the specified vent and termination cap to the outside of the building envelope. Never vent to another room or inside a building. Make sure that the vent is fitted as per Venting instructions.
- 4) Inspect the venting system annually for blockage and any signs of deterioration.
- 5) Venting terminals shall not be recessed into a wall or siding.
- 6) Any safety glass removed for servicing must be replaced prior to operating the appliance.
- 7) To prevent injury, do not allow anyone who is unfamiliar with the operation to use the fireplace.
- 8) Wear gloves and safety glasses for protection while doing required maintenance.
- 9) Be aware of electrical wiring locations in walls and ceilings when cutting holes for termination.
- 10) Under no circumstances should this appliance be modified. Parts that have to be removed for servicing should be replaced prior to operating this appliance.
- 11) Installation and any repairs to this appliance should be done by a qualified service person. A professional service person should be called to inspect this appliance annually. Make it a practice to have all of your gas appliances checked annually.
- 12) Do not slam shut or strike the glass door.
- 13) Under no circumstances should any solid fuels (wood, paper, cardboard, coal, etc.) be used in this appliance.
- 14) The appliance area must be kept clear and free of combustible materials, (gases and other flammable vapours and liquids).

Emissions from burning wood or gas could contain chemicals known to the State of California to cause cancer, birth defects or other reproductive harm.

## INSTALLATION CHECKLIST

**Note: These units are non-load bearing.**

- 1) Locate appliance. Refer to the following sections:
  - a) Locating Your Fireplace
  - b) Clearances
  - c) Combustible Mantel Clearances
  - d) Framing & Finishing
  - e) Venting. See the "Venting Introduction" to "Venting Arrangements" sections.
- 2) Assemble Top Standoffs. Refer to the "Unit Assembly Prior to Installation" section. (NOTE: must be done before installing unit into fireplace.)
- 3) Install vent. See the "Horizontal Installations" to "Installation Procedures" sections
- 4) Make gas connections. Test the pilot. Must be as per diagram. Refer to the "Gas Line Installation" & "Pilot Adjustment" sections.
- 5) Install standard and optional features. Refer to the following sections where applicable:
  - a. Log Set
  - b. Glass Door
  - c. Finishing Trim
  - d. Louvers & Grills
  - e. Remote Control
  - f. Wall Switch
  - g. Wall Thermostat
- 6) Final check.

Before leaving this unit with the customer, the installer must ensure that the appliance is firing correctly and operation fully explained to customer.

This includes:

- 1) Clocking the appliance to ensure the correct firing rate (rate noted on label 40,000 Btu/h NG, and 39,000 Btu/h LP) after burning appliance for 15 minutes.
- 2) If required, adjusting the primary air to ensure that the flame does not carbon. First allow the unit to burn for 15-20 min. to stabilize.

**CAUTION: Any alteration to the product that causes sooting or carboning that results in damage is not the responsibility of the manufacturer.**

## LOCATING YOUR GAS FIREPLACE

- 1) When selecting a location for your fireplace, ensure that the clearances are met as outlined in the "Clearances" section.
- 2) Provide adequate clearances for servicing.
- 3) The appliance must be installed on a flat, solid, continuous surface (e.g. wood, metal, concrete). This may be the floor, or raised up on a platform to enhance its visual impact. If the appliance is going to be installed on carpeting, combustible linoleum tile or other combustible material other than wood flooring, the appliance must be installed on a metal or wood panel extending the full width and depth of the appliance.

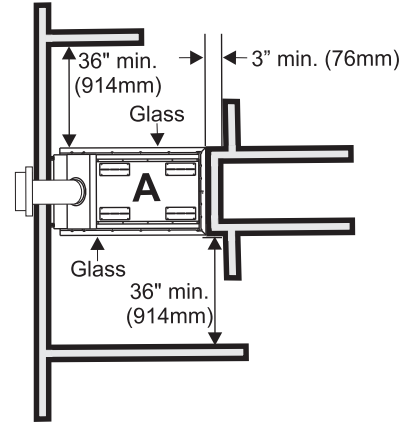
- 4) The Direct Vent Gas Fireplace can be installed as follows:

Model #	Position
A) P121-2:	See Thru
B) P131-2:	Pier
C) P121LC-2:	Left Corner
D) P121RC-2:	Right Corner

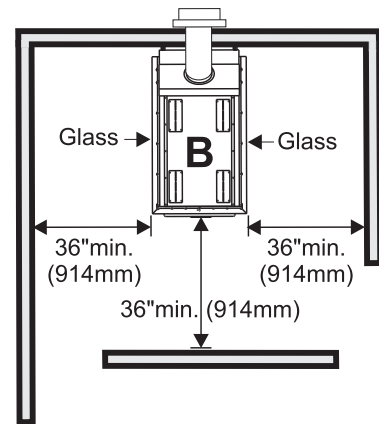
- 5) This appliance is Listed for bedroom installations when used with a Listed Millivolt Thermostat. Some areas may have further requirements, check local codes before installation.
- 6) The P121-2/P121LC-2/P121RC-2/P131-2 Direct Vent Gas Fireplace is approved for alcove installations, which meet the clearances listed on this page.
- 7) We recommend that you plan your installation on paper using exact measurements for clearances and floor protection before actually installing this appliance. Have a qualified inspector, dealer, or installer review your plans before installation.

**Note:** For Exterior Vent Termination Locations see section "Exterior Vent Termination Locations."

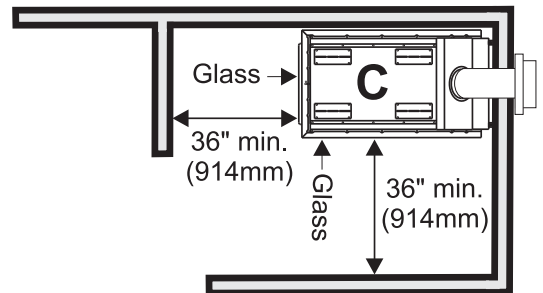
### A) P121-2 See Thru



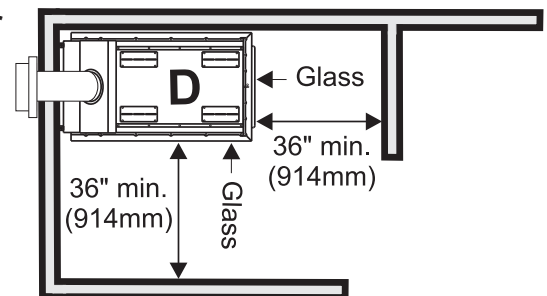
### B) P131-2 Pier



### C) P121LC-2 Left Corner



### D) P121RC-2 Right Corner



## CLEARANCES

The clearances listed below are Minimum distances unless otherwise stated (refer to diagrams in the "Locating Your Fireplace" section):

**Clearance to Combustibles from:**

<b>Back</b>	0"	(0mm)
<b>Side</b>	0"	(0mm)
<b>Floor</b>	0"	(0mm)

**CAUTION REQUIREMENTS:** The top, back and sides of the fireplace are defined by standoffs. The metal ends of the standoffs may **NOT** be recessed into combustible construction.

Determine the total thickness of the finished floor (eg. tile, carpet, slate) to allow the finished surface to be flush with the base of the unit.

**Ceiling Height from Floor** 72" (1828mm)

**Mantel Height from Base of Unit:**  
39" min. (991mm)

**Horizontal Vent Clearances:**

<b>Top</b>	2-1/2"	(64mm)
<b>Side</b>	1-1/2"	(38mm)
<b>Bottom</b>	1-1/2"	(38mm)

**Vertical Vent Clearances** 1-1/4" (32mm)

**WARNING:**  
Fire hazard is an extreme risk if these clearances (air space) to combustible materials are not adhered to. It is of greatest importance that this fireplace and vent system be installed only in accordance with these instructions.

## COMBUSTIBLE MANTELS

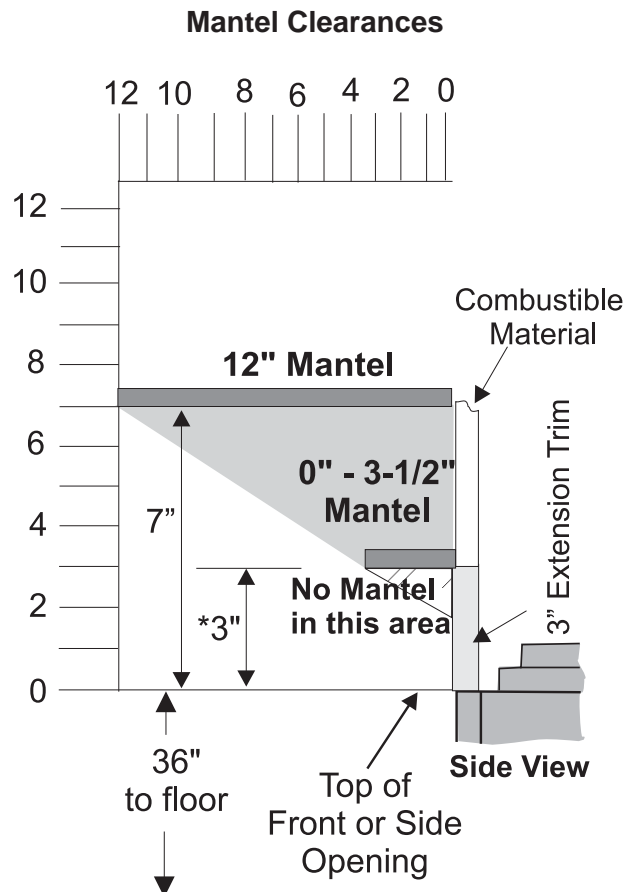
Because of the extreme heat this fireplace emits, the mantel clearances are critical. Combustible mantel clearances from top of unit are shown in Diagram to the right.

**Note:** A non-combustible mantel may be installed at a lower height if the framing is made of metal studs covered with a non-combustible board.

This drawing is to scale at 1:6 (one inch = 6 inches)  
Mantel can be installed anywhere in shaded area or higher using this scale.

**Caution:** Ensure the paint that is used on the mantel and the facing is "heat resistant" or the paint may discolour.

\* If the 3" (76mm) metal extension trim is removed it must be replaced with a 8" (203mm) non-combustible material.



## FRAMING AND FINISHING

- 1) For ease of installation, frame your fireplace after it is positioned and the vent system is installed. Remember to install the top standoffs. See the "Unit Assembly Prior to Installation" section. Use 2x4's and frame to local building codes.

**CAUTION:** Verify your fireplace dimensions, framing methods and finished wall facing details before framing. Determine the total thickness of facing material - drywall plus ceramic tiles, slate, etc. Allow the finish surface to be flush with the front or side of the unit. Total facing thickness can vary from 1/2" (13mm) to 1-1/4" (32mm) thick.

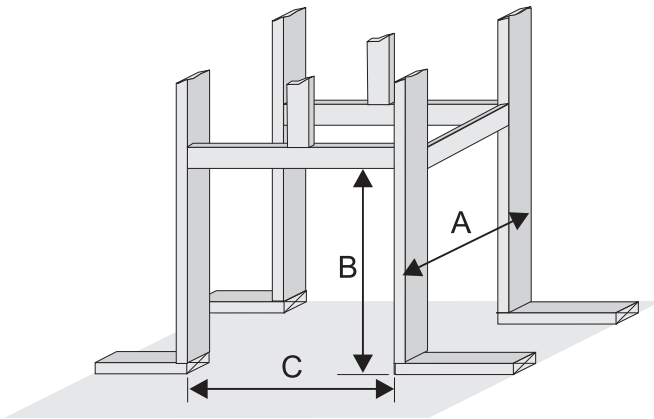
- 2) When locating your appliance on an exterior wall or in a chase, apply a vapour barrier and drywall, as per local building codes. **DO NOT INSULATE THE FIREPLACE ITSELF.**

**CAUTION:** The unit does not have to be completely enclosed in a chase. The clearance on top of the unit is 0" to the standoffs so combustible building materials can be laid directly on top of the standoffs. You must maintain clearance from the vent to combustible materials for both rigid and flex, see Vent Clearances in the "Clearances" section.

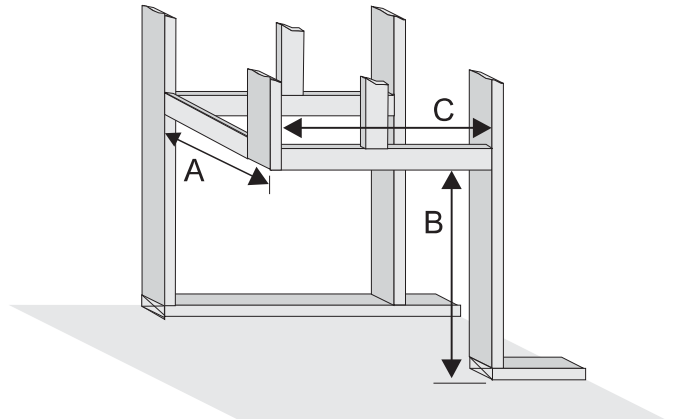
Framing Dimensions			
	P121-2 (See Thru)	P131-2 (Pier)	P121LC-2 / P121RC-2 (Corner Unit)
<b>A</b>	25"(635mm) minus two times the finishing material thickness*	25"(635mm) minus two times the finishing material thickness*	26-13/16" minus one time the finishing material thickness*
<b>B</b>	42-1/2"(1080mm)	42-1/2"(1080mm)	42-1/2"(1080mm)
<b>C</b>	46-3/4"(1187mm)	45" (1143mm) minus one time the finishing	45"(1143mm) minus one time the finishing

\* Finish material thickness includes: drywall, ceramic tile, slate, etc.

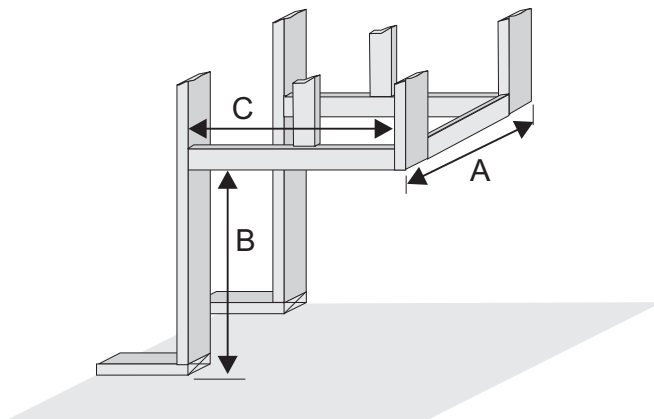
**P121-2 - See Thru**



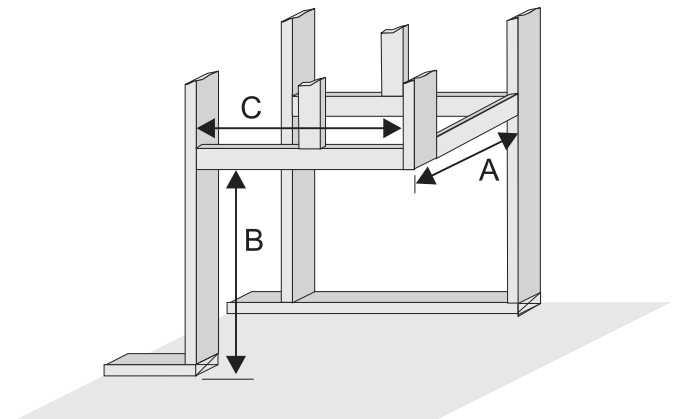
**P121LC-2 - Corner Unit**



**P131-2 - Pier**



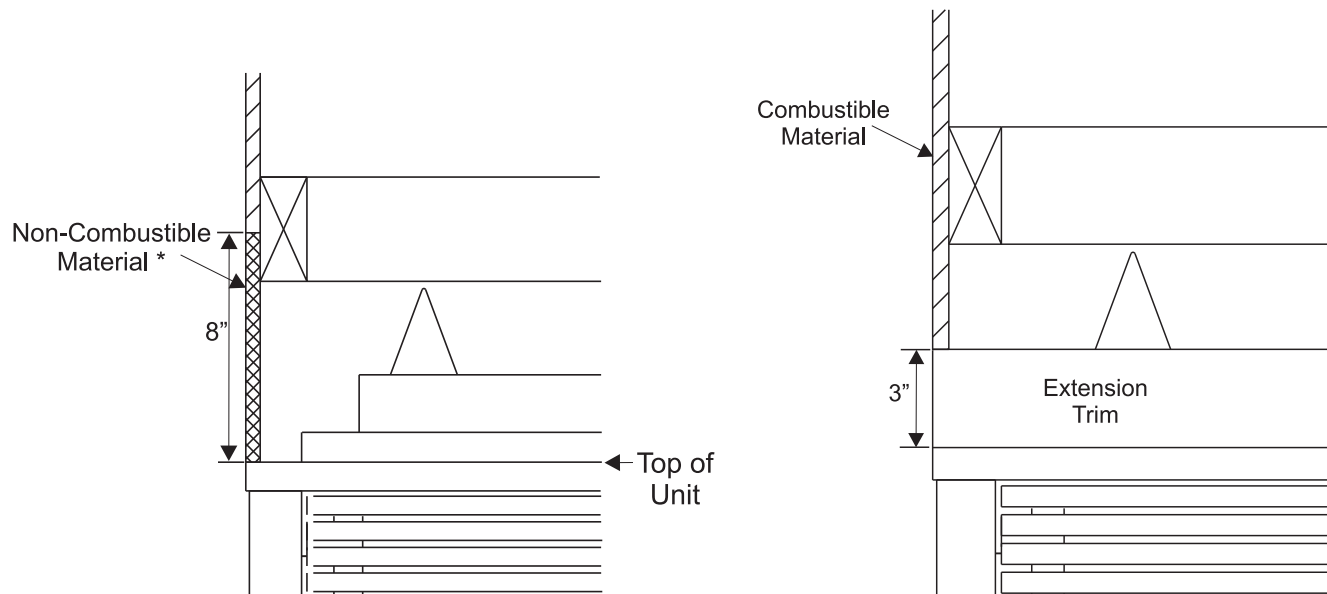
**P121RC-2 - Corner Unit**



**Note: These units are non-load bearing.**

## Facing & Finishing Requirements

This fireplace is supplied with a 3" metal extension trim above the fireplace. The extension trim may be replaced if the framing is faced with a non-combustible material placed flush with the front and side face of the unit and extending from the top of the unit. (ie. tile, slate, etc.)



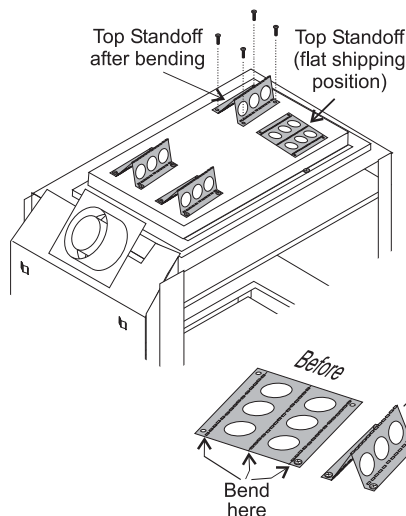
## UNIT ASSEMBLY PRIOR TO INSTALLATION

The 4 Top Standoffs must be correctly positioned and attached to the top before unit is slipped into position.

### Top Standoff Assembly

The top standoffs are shipped in a flat position and must be folded into shape and attached.

- 1) Remove the standoffs from the fireplace top.
- 2) Take each standoff and bend into the correct shape. Bend up at the bend lines until the screw holes in the standoff and the pre-punched screw holes on the fireplace top line up.
- 3) Attach the standoff securely to the top with 4 screws per standoff (on opposite corners).



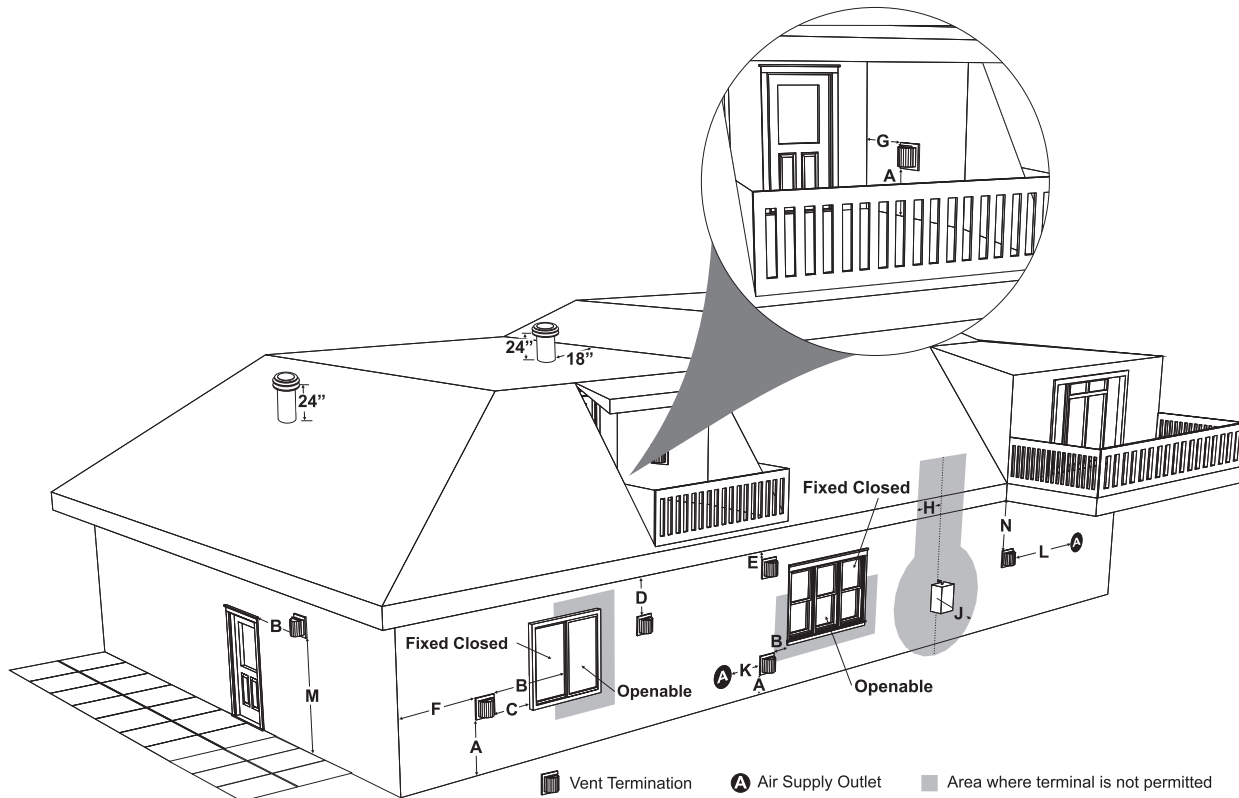
## VENTING INTRODUCTION

The P121-2/P121LC-2/P121RC-2/P131-2 uses the "balanced flue" technology Co-Axial system. The inner liner vents products of combustion to the outside while the outer liner draws outside combustion air into the combustion chamber thereby eliminating the need to use heated room air for combustion and losing warm room air up the chimney.

**Note:** *These flue pipes must not be connected to any other appliance.*

The gas appliance and vent system must be vented directly to the outside of the building, and never be attached to a chimney serving a separate solid fuel or gas burning appliance. Each direct vent gas appliance must use its own separate vent system. Common vent systems are prohibited. (See "Rigid Pipe Venting Systems" for more details and exceptions).

## EXTERIOR VENT TERMINATION LOCATIONS



	Minimum Clearance Requirements	Canada <sup>1</sup>	USA <sup>2</sup>
A	Clearance above grade, veranda, porch, deck, or balcony	12"(30cm)	12"(30cm)
B	Clearance to window or door that may be opened	12"(30cm)	9" (23cm)
C	Clearance to permanently closed window	*	*
D	Vertical clearance to ventilated soffit located above the terminal within a horizontal distance of 2 feet (61cm)	18"(46cm)	18"(46cm)
E	Clearance to unventilated soffit	20"(51cm)	20"(51cm)
F	Clearance to outside corner: with <b>AstroCap</b> Termination Cap.	6"(15cm)	6"(15cm)
	Clearance to outside corner: with all other approved Termination Caps.	14"(36cm)	14"(36cm)
G	Clearance to inside corner: with <b>AstroCap</b> Termination Cap	6"(15cm)	6"(12cm)
	Clearance to inside corner: with all other approved Termination Caps.	12"(30cm)	12"(30cm)
H	Clearance to each side of center line extended above meter/regulator assembly	36"(90cm) <sup>a</sup>	*
J	Clearance to service regulator vent outlet	36"(90cm)	*
K	Clearance to non-mechanical air supply inlet to building or the combustion air inlet to any other appliance	12"(30cm)	9" (23cm)
L	Clearance to a mechanical air supply inlet	72"(1.8m)	36"(90cm) <sup>b</sup>
M	Clearance above paved sidewalk or a paved driveway located on public property	84"(2.1m) <sup>†</sup>	*
N	Clearance under veranda, porch, deck, or balcony	12"(30cm) <sup>‡</sup>	*

<sup>1</sup> In accordance with current CSA B149.1, *Natural Gas and Propane Installation Code*  
<sup>2</sup> In accordance with the current ANSI Z223.1/NFPA 54, *National Fuel Gas Code*  
<sup>†</sup> A vent shall not terminate directly above a sidewalk or paved driveway which is located between two single family dwellings and serves both dwellings  
<sup>‡</sup> Permitted only if veranda, porch, deck, or balcony is fully open on a minimum of two sides beneath the floor  
\* Clearance in accordance with local installation codes and the requirements of the gas supplier  
<sup>a</sup> 3 feet (91cm) within a height of 15 feet (4.5m) above the meter / regulator assembly  
<sup>b</sup> 3 feet (91cm) above - if within 10 feet (3m) horizontally

## 4" X 6-5/8" RIGID PIPE CROSS REFERENCE CHART

Components from different Manufacturers may not be mixed. Not All Rigid Pipe components are available directly from FPI.

Description	Simpson Direct Vent Pro®	Selkirk Direct Temp™	American Metal Products® Amerivent Direct	Metal-Fab™ Sure Seal	Security Secure-Vent®	ICC Excel Direct
6" Pipe Length-Galvanized	46DVA-06	4DT-6	N/A	4D6	SV4L6	TC-4DL6
6" Pipe Length-Black	46DVA-06B	4DT-6B	N/A	4D6B	SV4LB6	TC-4DL6B
7" Pipe Length-Galvanized	N/A	N/A	4D7	N/A	N/A	N/A
7" Pipe Length-Black	N/A	N/A	4D7B	N/A	N/A	N/A
9" Pipe Length-Galvanized	46DVA-09	4DT-9	N/A	N/A	N/A	N/A
9" Pipe Length-Black	46DVA-09B	4DT-9B	N/A	N/A	N/A	N/A
12" Pipe Length-Galvanized	46DVA-12	4DT-12	4D12	4D12	SV4L12	TC-4DL1
12" Pipe Length-Black	46DVA-12B	4DT-12B	4D12B	4D12B	SV4LB12	TC-4DL1B
18" Pipe Length-Galvanized	46DVA-18	4DT-18	4D18	4D18	SV4LA	TC-4DL18
18" Pipe Length-Black	46DVA-18B	4DT-18B	4D18B	4D18B	SV4LA	TC-4DL18B
24" Pipe Length-Galvanized	46DVA-24	4DT-24	4D24	4D24	SV4L24	TC-4DL2
24" Pipe Length-Black	46DVA-24B	4DT-24B	4D24B	4D24B	SV4LB24	TC-4DL2B
36" Pipe Length-Galvanized	46DVA-36	4DT-36	4D36	4D36	SV4L36	TC-4DL3
36" Pipe Length-Black	46DVA-36B	4DT-36B	4D36B	4D36B	SV4LB36	TC-4DL3B
48" Pipe Length-Galvanized	46DVA-48	4DT-48	4D48	4D48	SV4L48	TC-4DL4
48" Pipe Length-Black	46DVA-48B	4DT-48B	4D48B	4D48B	SV4LB48	TC-4DL4B
60" Pipe Length-Galvanized	46DVA-60	4DT-60	N/A	N/A	N/A	N/A
60" Pipe Length-Black	46DVA-60B	4DT-60B	N/A	N/A	N/A	N/A

Adjustable Length 3"-10"-Galvanized	N/A	N/A	N/A	4DAL	N/A	TC-4DLT
Adjustable Length 3"-10"-Black	N/A	N/A	N/A	4DALB	N/A	TC-4DLTB
Adjustable Length 7"-Galvanized	N/A	N/A	4D7A	N/A	N/A	N/A
Adjustable Length 7"-Black	N/A	N/A	4D7AB	N/A	N/A	N/A
Extension Pipe 8-1/2"-Galvanized	46DVA-08A	N/A	N/A	N/A	N/A	N/A
Extension Pipe 8-1/2"-Black	46DVA-08AB	N/A	N/A	N/A	N/A	N/A
Adjustable Length 12"-Galvanized	N/A	N/A	4D12A	N/A	SV4LA12	N/A
Adjustable Length 12"-Black	N/A	N/A	4D12A	N/A	SV4LBA12	N/A
Extension Pipe 16"-Galvanized	46DVA-16A	N/A	N/A	N/A	N/A	N/A
Extension Pipe 16"-Black	46DVA-16AB	N/A	N/A	N/A	N/A	N/A

45° Elbow-Galvanized	46DVA-E45	4DT-EL45	4D45L	N/A	N/A	TE-4DE45
45° Elbow-Black	46DVA-E45B	4DT-EL45B	4DT-EL45B	N/A	N/A	TE-4DE45B
45° Elbow Swivel-Galvanized	See 46DVA-E45	N/A	N/A	4D45L	SV4E45	N/A
45° Elbow Swivel-Black	See 46DVA-E45B	N/A	N/A	4D45LB	SV4EB45	N/A
90° Elbow-Galvanized	46DVA-E90	4DT-EL90S	4DT-EL90S	N/A	N/A	TE-4DE90
90° Elbow-Black	46DVA-E90B	4DT-EL90SB	4DT-EL90SB	N/A	SV4EBR90-1	TE-4DE90B
90° Elbow, Swivel-Galvanized	See 46DVA-E90	N/A	N/A	4D90L	SV4E90-1	N/A
90° Elbow, Swivel-Black	See 46DVA-E90B	N/A	N/A	4D90LB	SV4EB90-1	N/A
90° Starter Elbow, Swivel-Galvanized	N/A	N/A	N/A	4D90A	N/A	N/A
Adaptor*	N/A	N/A	N/A	4D90L	N/A	N/A

Ceiling Support	N/A	4DT-CS	4DFSP	4DSP	SV4SD	TE-4DE45
Cathedral Support Box	46DVA-CS	4DT-CSS	4DRSB	4DRS	SV4CSB	TE-4DE45B
Wall Support/Band	46DVA-WS	4DT-WS/B	4DWS	4DWS	SV4BM	N/A
Offset Support	46DVA-ES (N/A - FPI)	4DT-OS	N/A	N/A	SV4SU	N/A
Wall Thimble-Black	46DVA-WT	4DT-WT	4DWT	4DWT	SV4RSM	TE-4DE90
Wall Thimble Support/Ceiling Support	46DVA-DC	N/A	N/A	N/A	SV4PF	TE-4DE90B
Firestop Spacer	46DVA-FS	4DT-FS	4DFSP	4DFS	SV4BF	N/A
Trim Plate-Black	N/A	4DT-TP	4DFPB	4DCP	SV4LA	N/A



Description	Simpson Direct Vent Pro®	Selkirk Direct Temp™	American Metal Products® Amerivent Direct	Metal-Fab™ Sure Seal	Security Secure-Vent®	ICC Excel Direct
Attic Insulation Shield 12"	46DVA-IS N/A@ FPI	N/A	4DAIS12	N/A	SV4RSA	N/A
Attic Insulation Shield - Cold Climates 36"	N/A	N/A	4DAIS12	N/A	N/A	TM-4AS

Basic Horizontal Termination Kit (A)	Disc.	4DT-HKA	4DHTK2	4DHTKA	SV-SHK	N/A
Horizontal Termination Kit (B)	46DVA-KHA (Changed Components)	4DT-HKB	4DHTK1	4DHTKB	SV-HK	N/A
Vertical Termination Kit	Disc.	4DT-VKC	4DHTK	4DHTK	SV-FK	N/A

High Wind Vertical Cap	46DVA-VCH	N/A	N/A	N/A	N/A	TM-4VT
High Wind Horizontal Cap	46DVA-HC	N/A	N/A	N/A	N/A	TM-4DHT
Horizontal Square Termination Cap	See 46DVA-HC	4DT-HHC	4DHC	4DHT	SV4CHC-1	TM-4HT
Vertical Termination Cap	N/A	4DT-HVC	4DVC	4DVT	SV4CGV-1	TM-4VT
Storm Collar	46DVA-08A	4DT-SC	4DSC	4DSC	SV4FC	TM-SC

Adjustable Flashing 0/12-6/12	N/A	4DT-ST14	4D12S	4DST14	SV4STC14	TF-4FA
Adjustable Flashing 6/12-12/12	N/A	4DT-ST36	4D36S	4DST36	SV4STC36	TF-4FB

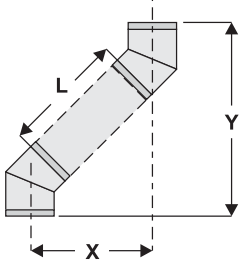
Vinyl Siding Standoff	46DVA-VSS	4DT-VS	N/A	4DVS	SV4VS	TM-VSS
Vinyl Siding Shield Plate	N/A	4DT-VSP	N/A	N/A	SV4VS	N/A

Snorkel Termination 14"	46DVA-VCH	N/A	N/A	N/A	N/A	TM-4ST14
Snorkel Termination 36"	46DVA-HC	N/A	N/A	N/A	N/A	TM-4ST36

Restrictor Disk	46DVA-RD	N/A	N/A	N/A	N/A	TM-4DS
Extended Vertical Termination Cap	46DVA-VCE	N/A	N/A	N/A	N/A	N/A
Chimney Conversion Kit A (USA only)	46DVA-KCA	N/A	N/A	N/A	N/A	TM-4CA6
Chimney Conversion Kit B (USA only)	46DVA-KCB	N/A	N/A	N/A	N/A	TM-4CA7
Chimney Conversion Kit C (USA only)	46DVA-KCC	N/A	N/A	N/A	N/A	TM-4CA8
Chimney Conversion Kit Masonry (USA only)	46DVA-KMC	N/A	N/A	N/A	N/A	N/A
Wall Firestop	46DVA-WFS	N/A	N/A	N/A	N/A	TM-4TR
Colinear Flex Connectors	46DVA-ADF	N/A	N/A	N/A	N/A	N/A

FPI			
946-506/P	Vent Guard (Optional) for AstroCap	946-205	Vinyl Siding Shield for Riser Vent Terminal
510-994	Rigid Pipe Adaptor (Must use with all rigid piping)	946-208/P	Vent Guard (Optional) for Riser Vent Terminal
640-530/P	Riser Vent Terminal	946-523/P	AstroCap Horizontal Cap
946-605	Starter Collar Increaser 4" x 6-5/8" to 5" x 8"	946-206	Vinyl Siding Standoff for AstroCap

**Note:** When using Metal-Fab Sure Seal Rigid Piping - please note that the Adaptor (4DDA) must be used in conjunction with FPI Rigid Pipe Adaptor (510-994).

Offset Pipe Selection: Use this table to determine offset pipe lengths.				
Pipe Length (L)	4" x 6-5/8" Venting			For specific instructions on venting components - visit the manufacturers website listed below.
	Run (X)	Rise (Y)		
0" (0mm)	4-7/8" (124mm)	13-7/8" (340mm)		Simpson Direct Vent Pro: <a href="http://www.duravent.com">www.duravent.com</a>
6" (152mm)	8" (203mm)	16-1/2" (419mm)		Selkirk Direct-Temp: <a href="http://www.selkirkcorp.com">www.selkirkcorp.com</a>
9" (229mm)	10-1/8" (257mm)	18-5/8" (473mm)		American Metal Products: <a href="http://www.americanmetalproducts.com">www.americanmetalproducts.com</a>
12" (305mm)	12-1/4" (311mm)	20-3/4" (527mm)		Metal-Fab Sure Seal: <a href="http://www.mtfab.com">www.mtfab.com</a>
24" (610mm)	20-5/8" (524mm)	29-1/8" (740mm)		Security Secure Vent: <a href="http://www.securitychimneys.com">www.securitychimneys.com</a>
36" (914mm)	29" (737mm)	37-1/2" (953mm)		Industrial Chimney Company: <a href="http://www.icc-rsf.com">www.icc-rsf.com</a>
48" (1219mm)	37-7/16" (951mm)	45-15/16" (1167mm)		

**Note:** Horizontal runs of vent must be level, or have a 1/4" rise for every 1 foot of run towards the termination. Never allow the vent to run downward - this could cause high temperatures and may present a possible fire hazard.

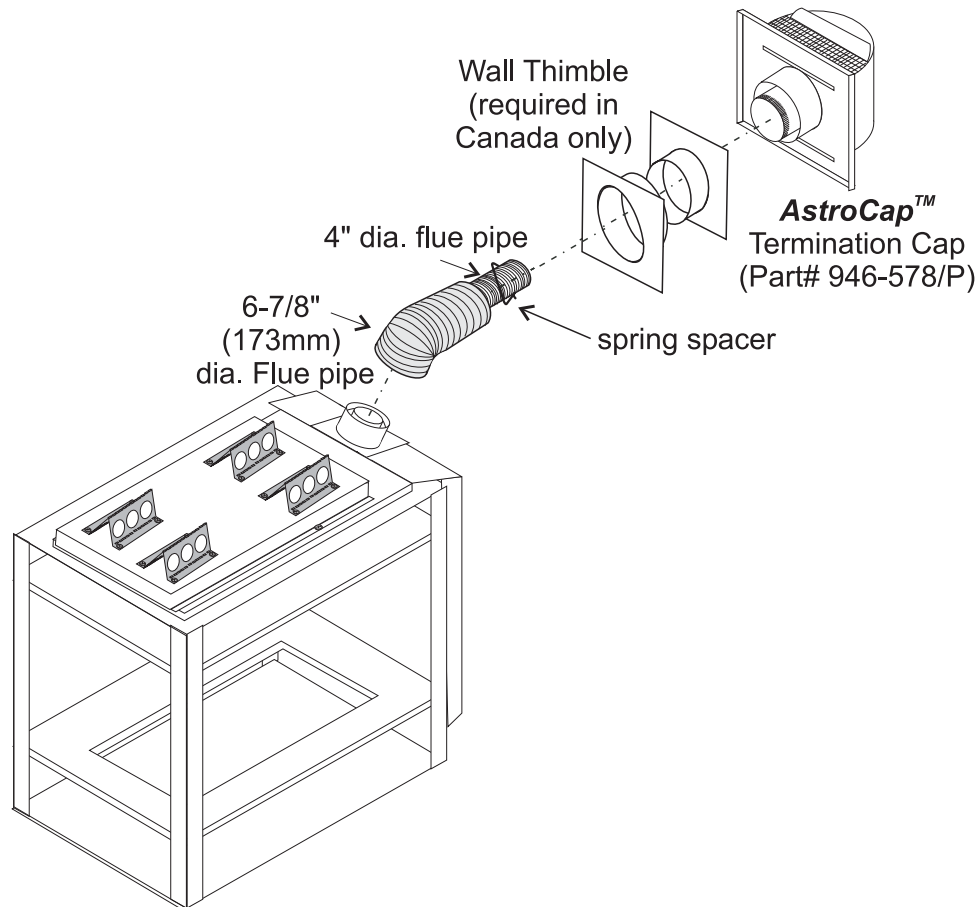
## VENTING ARRANGEMENT - HORIZONTAL TERMINATIONS

### *Regency® Direct Vent System (Flex) Horizontal Terminations Only*

These venting systems, in combination with the P121-2/P121LC-2/P121RC-2/P131-2 Direct Vent Gas Fireplace, have been tested and listed as a direct vent heater system by Intertek. The location of the termination cap must conform to the requirements in the Vent Terminal Locations diagram in the "Exterior Vent Termination Locations" section.

**Regency® Direct Vent (Flex) System Termination Kit (Part# 946-513) includes all the parts needed to install the P121-2/P121LC-2/P121RC-2/P131-2 with a maximum run of 2 feet.** If installing the P121-2/P121LC-2/P121RC-2/P131-2 with a **continuous** vent length of more than 2 ft. (.6m) to a maximum of 10 ft. (3.0m) use Kit # 946-515 (4 ft.) or 946-516 (10 ft.)

- 1) 6-7/8" dia. flexible liner (2 ft. length)
- 2) 4" dia. flexible liner (2 ft. length)
- 3) spring spacers (3)
- 4) thimble (2)
- 5) **AstroCap** termination cap (1)
- 6) screws (12)
- 7) tube of Mill Pac (1)
- 8) plated screws (8)
- 9) screws #8 x 1-1/2" drill point, stainless steel (4)



#### Notes:

- 1) Liner sections should be continuous without any joints or seams.
- 2) Only Flex pipe purchased from Regency® may be used for Flex installations.
- 3) Regency® Direct Vent System (Flex) is only approved for horizontal terminations.

## RIGID PIPE VENTING SYSTEMS *Horizontal or Vertical Terminations*

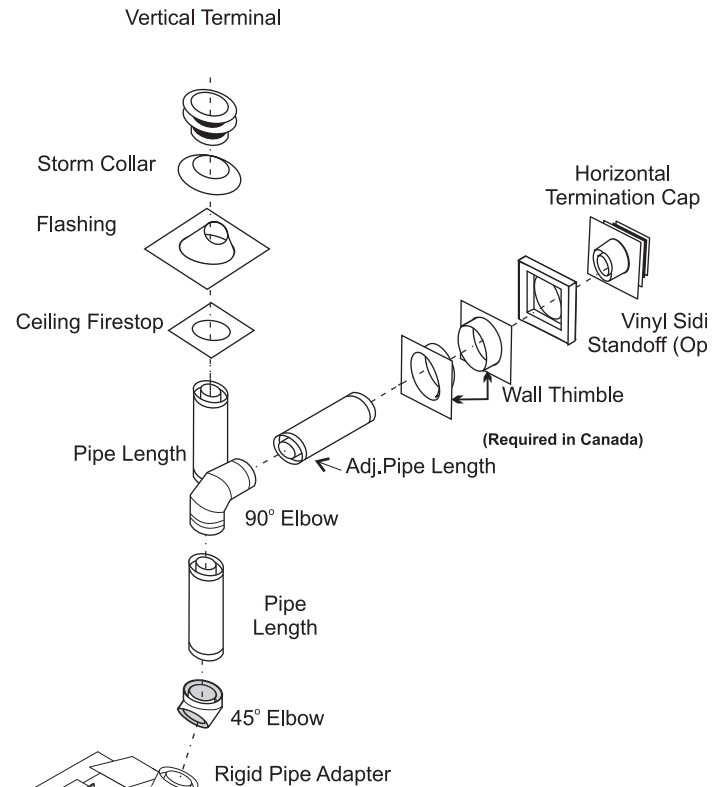
The minimum components required for a basic horizontal termination are:

- 1 Simpson Duravent Adaptor
- 1 Horizontal Termination Cap
- 1 45° Elbow
- 1 Rigid Pipe Adaptor
- 1 Wall Thimble
- 1 Length of pipe to suit wall thickness (see chart)

Wall thickness is measured from the back standoffs to the inside mounting surface of termination cap. For siding other than vinyl furring strips may be used, instead of the vinyl siding standoff, to create a level surface to mount the vent terminal. The Terminal must not be recessed into siding. Measure the wall thickness including furring strips.

If a Vinyl Siding Standoff is required (it must be used with vinyl siding), measure to outside surface of wall without siding and add 2 inches.

Flat Wall Installation	
Wall Thickness (inches)	Vent Length Required (inches)
4" - 5-1/2"	6"
7" - 8-1/2"	9"
10" - 11-1/2"	12"
9" - 14-1/2"	11" - 14-5/8" Adj. Pipe
15" - 23-1/2"	17" - 24" Adj. Pipe

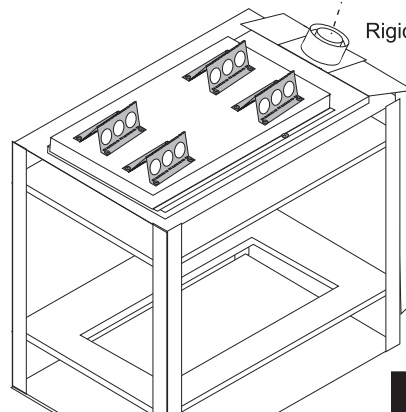


### **WARNING:**

Do not combine venting components from different venting systems.

However use of the the AstroCap™ and FPI Riser is acceptable with all systems.

This product has been evaluated by Intertek for using a Rigid Pipe Adaptor in conjunction with Duravent Direct-Vent, Selkirk Direct-Temp, Ameri Vent Direct venting and Security Secure Vent systems. Use of these systems with the Rigid Pipe adaptor is deemed acceptable and does not affect the Intertek WHI listing of components.



**When using Rigid Vent other than Simpson Dura-Vent, 3 screws must be used to secure rigid pipe to adaptor.**

The FPI AstroCap™ and FPI Riser Vent terminal are certified for installations using FPI venting systems as well as Simpson Dura-Vent® Direct Vent, American Metal Products Ameri Vent Direct Vent, Security Secure Vent®, Selkirk Direct-Temp. AstroCap™ is a proprietary trademark of FPI Fireplace Products International Ltd. Dura-Vent® and Direct Vent are registered and/or proprietary trademarks of Simpson Dura-Vent Co. Inc.

## RIGID PIPE VENTING ARRANGEMENTS HORIZONTAL TERMINATIONS REGENCY DIRECT VENT SYSTEM (FLEX) (Propane & Natural Gas)

The diagram below shows examples of horizontal termination arrangements using one, two, or three 90° elbows (two 45° elbows equal one 90° elbow).

**Note:**

- 1) A maximum of three 90° elbows are permitted.
- 2) Minimum distance between elbows is 1 ft. (305mm).

**All Rigid Pipe Systems**  
4" inner diameter  
6-5/8" outer diameter

- Maintain clearances to combustibles as listed in the "Clearances" section.
- Horizontal vent must be supported every 3 feet.
- Firestops are required at each floor level and whenever passing through a wall.
- Must use optional rigid pipe adaptor (Part# 510-994) when using rigid pipe vent systems.
- A vent guard should be used whenever the termination is lower than the specified minimum or as per local codes.

### Straight Out Horizontal Venting

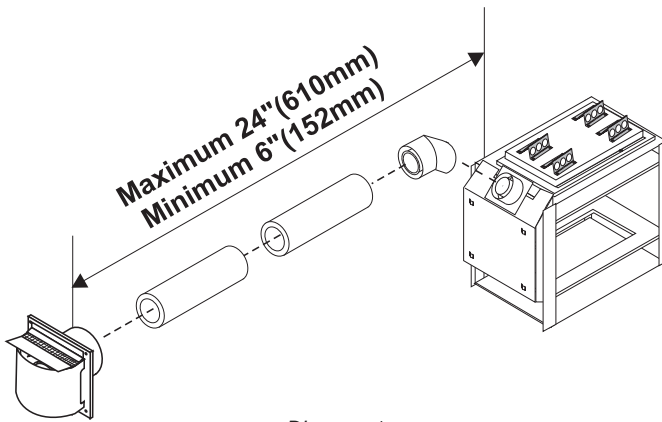


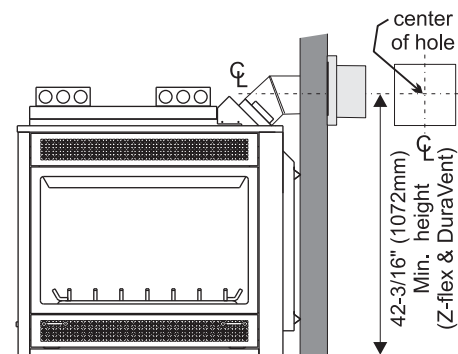
Diagram 1

### Horizontal Venting with One (1) 90° Elbow

Option	V	H
A)	1' (305mm) Minimum	3' (914mm) Maximum
B)	2' (610mm) Minimum	6' (1.86m) Maximum
C)	3' (914mm) Minimum	9' (2.7m) Maximum
D)	4' (1.22m) Minimum	12' (3.6m) Maximum
E)	5' (1.5m) Minimum	15' (4.5m) Maximum
F)	6' (1.86m) Minimum	17' (5.1m) Maximum

With the above options, maximum total pipe length is 37 feet with minimum of 6 feet total vertical and maximum 17 feet total horizontal.

**Please note minimum 1 foot between 90° elbows is required.**



**Please note the minimum centerline for basic install shown above.**

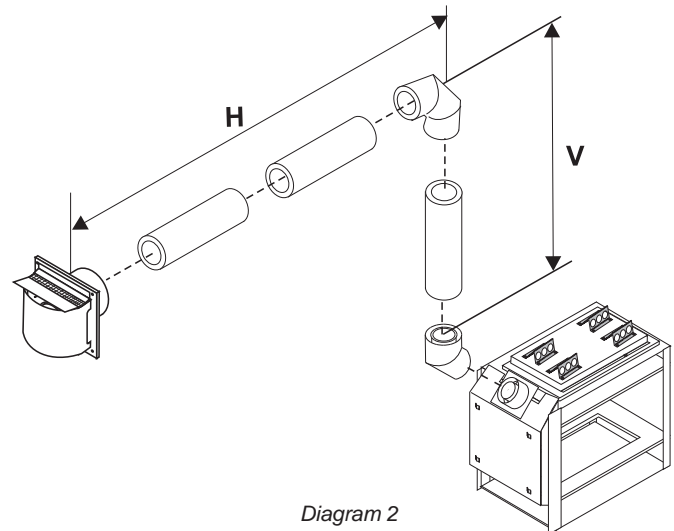


Diagram 2

## Horizontal Venting with Two (2) 90° Elbows

Option	V	H + H1
A)	1' (305mm) Minimum	2' (610mm) Maximum
B)	2' (610mm) Minimum	5' (1.5m) Maximum
C)	3' (914mm) Minimum	8' (2.4m) Maximum
D)	4' (1.22m) Minimum	11' (3.35m) Maximum
E)	5' (1.5m) Minimum	14' (4.27m) Maximum
F)	6' (1.86m) Minimum	15' (4.5m) Maximum

With the above options, maximum total pipe length is 37 feet with minimum of 6 feet total vertical and maximum 15 feet total horizontal.

**Please note minimum 1 foot between 90° elbows is required.**

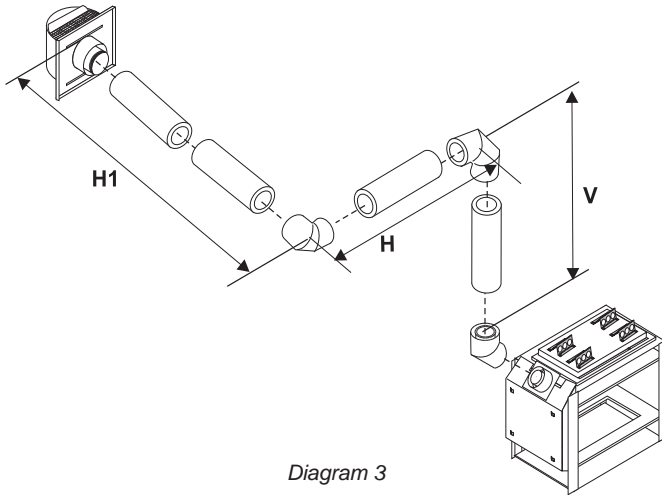


Diagram 3

## Horizontal Venting with Three (3) 90° Elbows

Option	V	H	H + H1 + H2
A)	2' (610mm) Min.	1' (305mm) Max.	3' (914mm) Max.
B)	3' (914mm) Min.	3' (914mm) Max.	6' (1.86m) Max.
C)	4' (1.22m) Min.	5' (1.5m) Max.	9' (2.7m) Max.
D)	5' (1.5m) Min.	7' (2.13m) Max.	12' (3.6m) Max.

With the above options, maximum total pipe length is 37 feet with minimum of 5 feet total vertical and maximum 12 feet total horizontal.

**Please note minimum 1 foot between 90° elbows is required.**

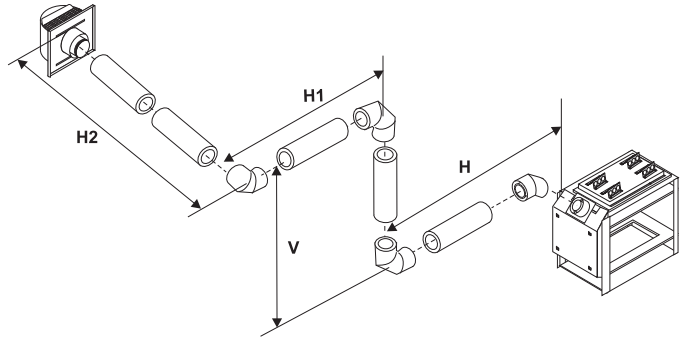


Diagram 5

## Horizontal Venting with Two (2) 90° Elbows

Option	V	H	H + H1
A)	1' (305mm) Min.	1' (305mm) Max.	3' (914mm) Max.
B)	2' (610mm) Min.	3' (0.91m) Max.	6' (1.86m) Max.
C)	3' (914mm) Min.	5' (1.5m) Max.	9' (2.7m) Max.
D)	5' (1.5m) Min.	8' (2.4m) Max.	12' (3.6m) Max.

With the above options, maximum total pipe length is 37 feet with minimum of 5 feet total vertical and maximum 12 feet total horizontal.

**Please note minimum 1 foot between 90° elbows is required.**

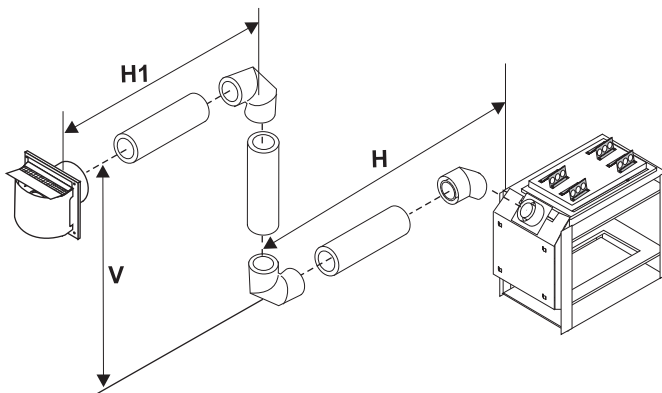


Diagram 4

## Horizontal Venting with Three (3) 90° Elbows

Option	V + V1	H + H1
A)	2' (610mm) Minimum	3' (914mm) Maximum
B)	3' (914mm) Minimum	6' (1.86m) Maximum
C)	4' (1.22m) Minimum	9' (2.7m) Maximum
D)	5' (1.5m) Minimum	12' (3.6m) Maximum

With the above options, maximum total pipe length is 37 feet with minimum of 5 feet total vertical and maximum 12 feet total horizontal.

**Please note minimum 1 foot between 90° elbows is required.**

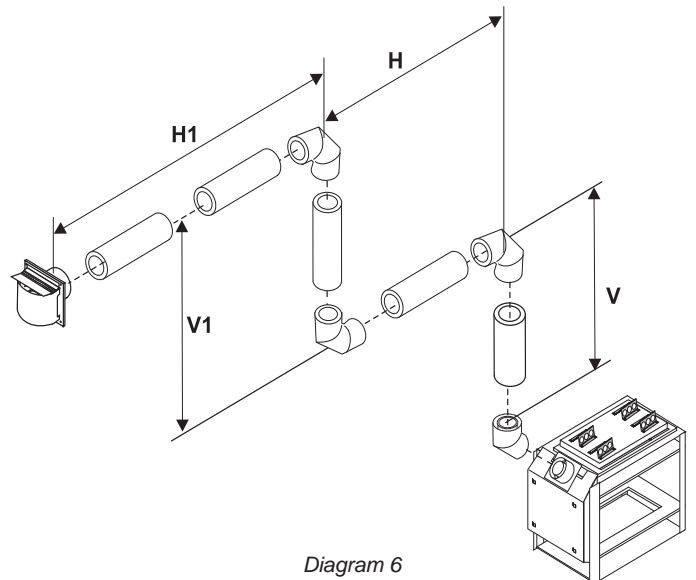


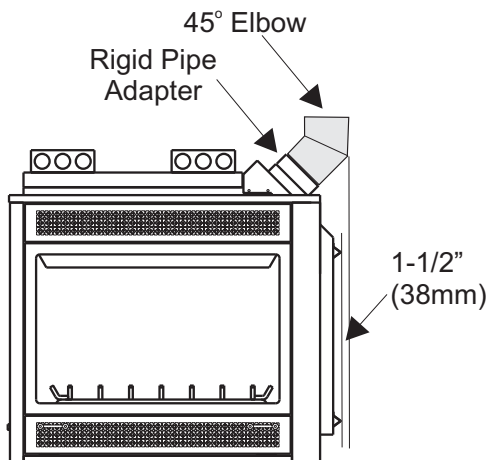
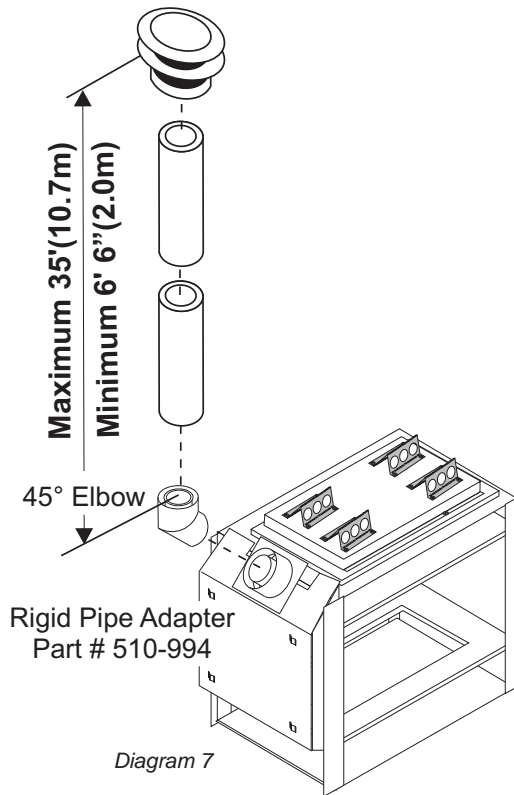
Diagram 6

## RIGID PIPE VENTING ARRANGEMENTS - VERTICAL TERMINATIONS (Propane & Natural Gas)

- Vent must be supported at offsets
- Maintain clearances to combustibles as listed in the "Clearances" section.
- Firestops are required at each floor level and whenever passing through a wall.
- Must use optional rigid pipe adaptor when using rigid pipe vent systems (Part# 510-994).

The P121-2/P121LC-2/P121RC-2/P131-2 is approved for a maximum 35 ft. (10.7m) straight vertical, with **rigid pipe** vent systems for Propane and Natural Gas, as per diagram 7 below.

### Straight Up Vertical Venting

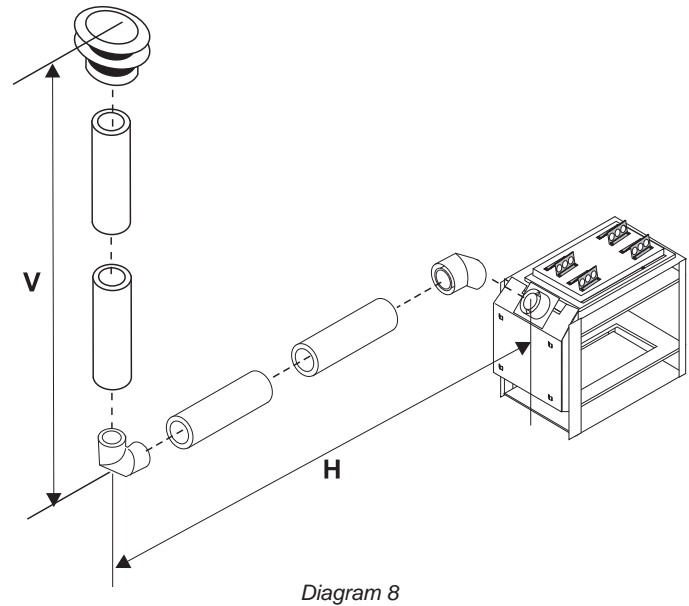


### Vertical Venting with One (1) 90° Elbow

Option	V	H
A)	1' (305mm) Minimum	2' (610mm) Maximum
B)	2' (610mm) Minimum	4' (1.22m) Maximum
C)	3' (914mm) Minimum	6' (1.86m) Maximum
D)	4' (1.22m) Minimum	8' (2.4m) Maximum

With the above options, maximum total pipe length is 37 feet with minimum of 4 feet total vertical and maximum 8 feet total horizontal.

**Please note minimum 1 foot between 90° elbows is required.**



### IMPORTANT

When installing this unit vertically, the 45° elbow when installed in conjunction with the Rigid Pipe Adaptor will protrude past the unit 1-1/2" (38mm) when measured from the rear standoffs.

**Note:** A 1-1/4" (32mm) clearance from the elbow must also be maintained.

## Vertical Venting with Two (2) 90° Elbows

Option	V + V1	H
A)	1' (305mm) Minimum	4' (1.22m) Maximum
B)	2' (610mm) Minimum	6' (1.86m) Maximum
C)	3' (914mm) Minimum	9' (2.7m) Maximum
D)	4' (1.22m) Minimum	12' (3.6m) Maximum
E)	5' (1.5m) Minimum	15' (4.5m) Maximum
F)	6' (1.86m) Minimum	17' (5.1m) Maximum

With the above options, maximum total pipe length is 37 feet with minimum of 6 feet total vertical and maximum 17 feet total horizontal.

**Please note minimum 1 foot between 90° elbows is required.**

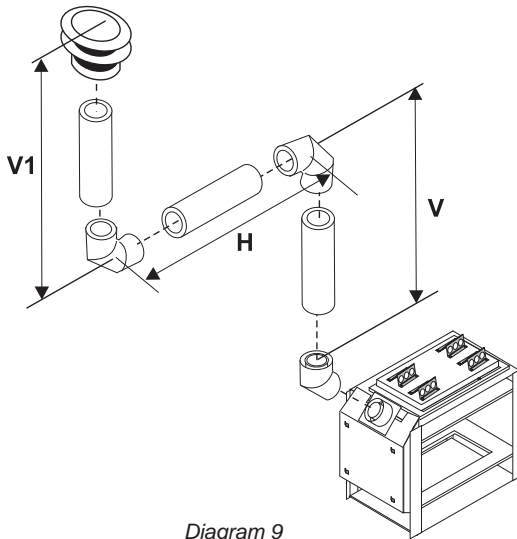


Diagram 9

## Vertical Venting with Two (2) 90° Elbows

Option	V	H + H1
A)	1' (305mm) Minimum	2' (610mm) Maximum
B)	2' (610mm) Minimum	4' (1.22m) Maximum
C)	3' (914mm) Minimum	6' (1.86m) Maximum
D)	4' (1.22m) Minimum	8' (2.4m) Maximum

With the above options, maximum total pipe length is 37 feet with minimum of 4 feet total vertical and maximum 8 feet total horizontal.

**Please note minimum 1 foot between 90° elbows is required.**

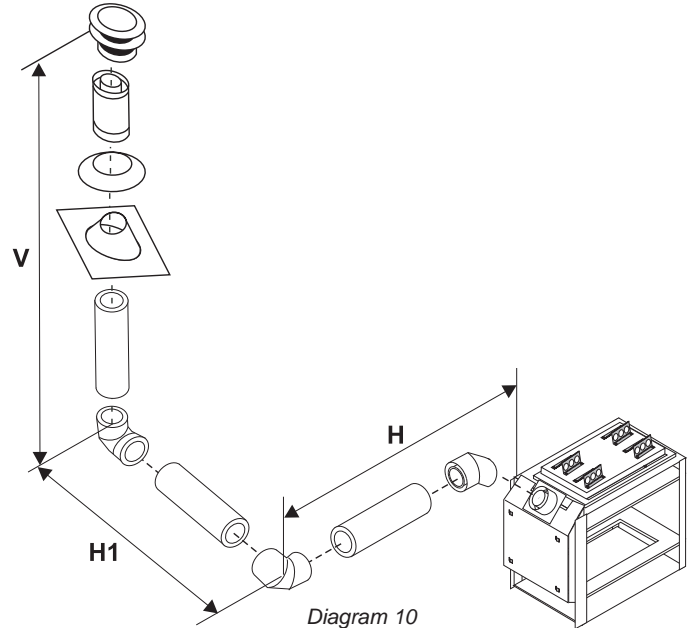


Diagram 10

## Vertical Venting with Three (3) 90° Elbows

Option	V + V1	H	H + H1
A)	2' (610mm) Min.	1' (305mm) Max.	2' (610mm) Max.
B)	3' (914mm) Min.	4' (1.22m) Max.	5' (1.5m) Max.
C)	4' (1.22m) Min.	6' (1.86m) Max.	8' (2.4m) Max.
D)	5' (1.5m) Min.	8' (2.4m) Max.	12' (3.6m) Max.

With the above options, maximum total pipe length is 37 feet with minimum of 5 feet total vertical and maximum 12 feet total horizontal.

**Please note minimum 1 foot between 90° elbows is required.**

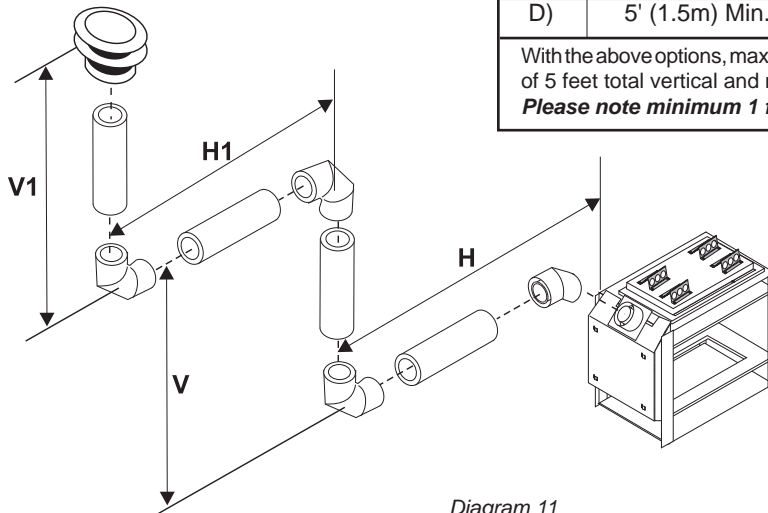


Diagram 11

## Vertical Venting with Three (3) 90° Elbows

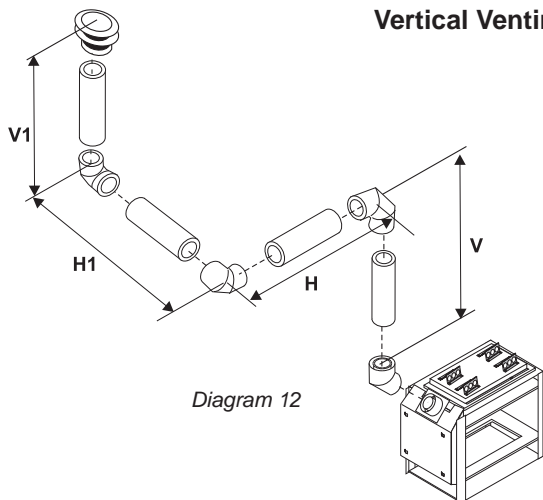


Diagram 12

Option	V + V1	H + H1
A)	2' (610mm) Minimum	3' (914mm) Maximum
B)	3' (914mm) Minimum	6' (1.86m) Maximum
C)	4' (1.22m) Minimum	9' (2.7m) Maximum
D)	5' (1.5m) Minimum	12' (3.6m) Maximum

With the above options, maximum total pipe length is 37 feet with minimum of 5 feet total vertical and maximum 12 feet total horizontal.

**Please note minimum 1 foot between 90° elbows is required.**

## HORIZONTAL TERMINATIONS

Install the vent system according to the manufacturer's instructions included with the components.

- 1) Set the unit in its desired location. Check to determine if wall studs or roof rafters are in the way when the venting system is attached. If this is the case, you may want to adjust the location of the unit. Rough in the gas.
- 2) Direct Vent pipe and fittings are designed with special twist-lock connections to connect the venting system to the appliance flue outlet. A twist-lock appliance adaptor is an available option that must be used in conjunction with the Simpson Dura-Vent Direct Vent system.
- 3) Put a bead of silicone inside the outer section of the adapter and a bead of Mill Pac on the inner collar. Slip the adapter over the existing inner and outer flue collar and fasten to the outer collar only with the 3 supplied screws (drilling pilot holes will make this easier). Level the fireplace and fasten it to the framing using nails or screws through the nailing strips.
- 4) Assemble the desired combination of pipe and elbows to the appliance adaptor and twist-lock for a solid connection.

### Note:

- a) Twist-lock procedure: Four indentations, located on the female ends of pipes and fittings, are designed to slide straight onto the male ends of adjacent pipes and fittings, by orienting the four pipe indentations so they match and slide in to the four entry slots on the male ends, Diagram 1. Push the pipe sections

completely together, then twist-lock one section clockwise approximately one-quarter turn, until the two sections are fully locked. The female locking lugs will not be visible from the outside, on the Black Pipe or fittings. They may be located by examining the inside of the female ends.

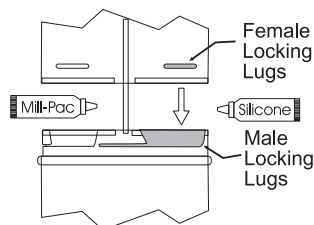


Diagram 1

**NOTE:** For best results and optimum performance with each approved venting system, it is highly recommended to apply "Mill-Pac" sealant (supplied) to every inner pipe connection. Failure to do so may result in drafting or performance issues not covered under warranty. Silicone (red RTV) is optional.

- b) Horizontal runs of vent must be supported every three feet. Wall straps are available for this purpose.
- 5) Mark the wall for a 10" x 10" square hole. The center of the square hole should line up with the centerline of the horizontal pipe. Cut and frame the 10 inch square hole in the exterior wall where the vent will be terminated. If the wall being penetrated is constructed of non-combustible material, i.e. masonry block or concrete, a 7"(178mm) dia. (7-1/2"(191mm) dia. for flex) hole is acceptable.

**Note:** With Dura-Vent, the minimum height is achieved by installing a 45° elbow directly to the rigid pipe adaptor.

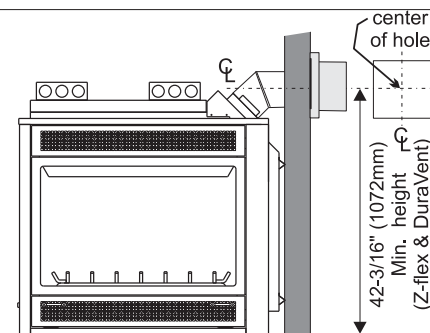


Diagram 2

### Note:

- a) The horizontal run of vent must be level, or have a 1/4 inch rise for every 1 foot of run towards the termination. Never allow the vent to run downward. This could cause high temperatures and may present the possibility of a fire.
- b) The location of the horizontal vent termination on an exterior wall must meet all local and national building codes, and must not be blocked or obstructed. For External Vent Terminal Locations, see diagram in the "External Vent Termination Locations" section.
- 6) The arrow on the vent cap should be pointing up. Insure that the 1-1/2" clearances to combustible materials are maintained (Diagram 3 in the "Venting Arrangement - Horizontal Terminations" section) Install the termination cap.

The four wood screws provided should be replaced with appropriate fasteners for stucco, brick, concrete, or other types of sidings.

**Note:** If installing termination on a siding covered wall, a vinyl siding standoff or furring strips must be used to ensure that the termination is not recessed into the siding.



## VERTICAL TERMINATIONS

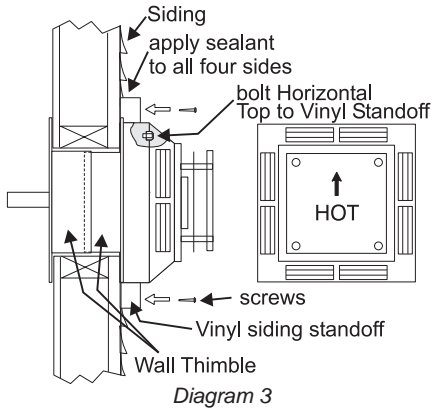


Diagram 3

- 7) Before connecting the horizontal run of vent pipe to the vent termination, slide the Wall Thimble (Part # 942) over the vent pipe.
- 8) Slide the appliance and vent assembly towards the wall carefully inserting the vent pipe into the vent cap assembly. It is important that the vent pipe extends into the vent cap sufficient distance so as to result in a minimum pipe overlap of 1-1/4 inches. Secure the connection between the vent pipe and the vent cap by attaching the two sheet metal strips extending from the vent cap assembly into the outer wall of the vent pipe. Use the two sheet metal screws provided to connect the strips to the pipe section. See Diagram 4.
- 9) Install wall thimble in the center of the 10" square and attach with wood screws (Diagram 5).

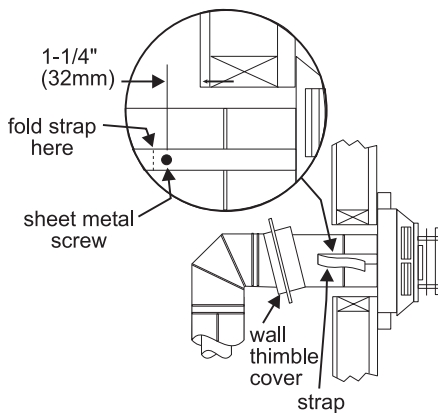


Diagram 4

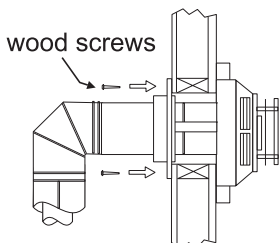


Diagram 5

- 1) Maintain the 1-1/4" clearances (air spaces) to combustibles when passing through ceilings, walls, roofs, enclosures, attic rafter, or other nearby combustible surfaces. Do not pack air spaces with insulation. Check the "Venting Arrangement" section for the maximum vertical rise of the venting system and the maximum horizontal offset limitations.

- 2) Set the gas appliance in its desired location. Drop a plumb bob from the ceiling to the position of the appliance flue exit, and mark the location where the vent will penetrate the ceiling. Drill a small hole at this point. Next, drop a plumb bob from the roof to the hole previously drilled in the ceiling, and mark the spot where the vent will penetrate the roof. Determine if ceiling joists, roof rafters or other framing will obstruct the venting system. You may wish to relocate the appliance or to offset, as shown in Diagram 2 to avoid cutting load bearing members.

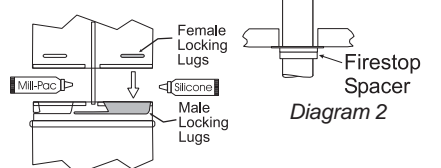


Diagram 2

**NOTE:** For best results and optimum performance with each approved venting system, it is highly recommended to apply "Mill-Pac" sealant (supplied) to every inner pipe connection. Failure to do so may result in drafting or performance issues not covered under warranty. Silicone (red RTV) is optional.

- 3) A Firestop spacer must be installed in the floor or ceiling of every level. To install the Firestop spacer in a flat ceiling or wall, cut a 10 inch square hole. Frame the hole as shown in Diagram 3 and install the firestop.

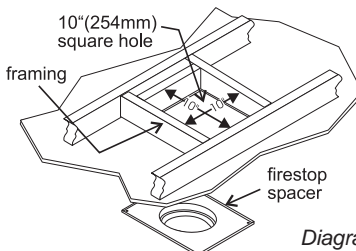


Diagram 3

- 4) Assemble the desired lengths of pipe and elbows. Ensure that all pipes and elbow connections are in the fully twist-locked position and sealed.
- 5) Cut a hole in the roof centered on the small drilled hole placed in the roof in Step 2. The hole should be of sufficient size to meet the minimum requirements for clearance to combustibles of 1-1/4". Slip the flashing under the shingles (shingles should overlap half the flashing) as per Diagram 4.

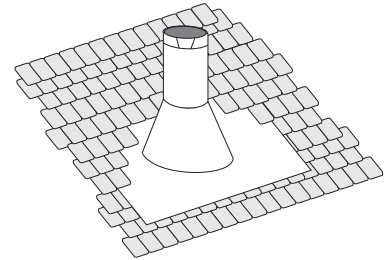


Diagram 4: The upper half of the flashing is installed under the roofing material and nailed down until the chimney is installed. This allows for small adjustments.

- 6) Continue to assemble pipe lengths.

**Note:** If an offset is necessary in the attic to avoid obstructions, it is important to support the vent pipe every 3 feet, to avoid excessive stress on the elbows, and possible separation. Wall straps are available for this purpose (Diagram 2).

Galvanized pipe is desirable above the roofline due to its higher corrosion resistance. Continue to add pipe sections through the flashing until the height of the vent cap meets the minimum height requirements specified in Diagram 5 or

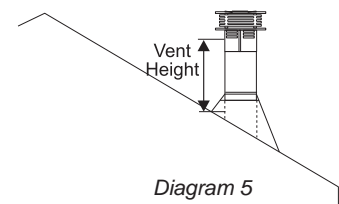


Diagram 5

Roof Pitch	Minimum Vent Height	
	Feet	Meters
flat to 7/12	2	0.61
over 7/12 to 8/12	2	0.61
over 8/12 to 9/12	2	0.61
over 9/12 to 10/12	2.5	0.76
over 10/12 to 11/12	3.25	0.99
over 11/12 to 12/12	4	1.22
over 12/12 to 14/12	5	1.52
over 14/12 to 16/12	6	1.83
over 16/12 to 18/12	7	2.13
over 18/12 to 20/12	7.5	2.29
over 20/12 to 21/12	8	2.44

# INSTALLATION

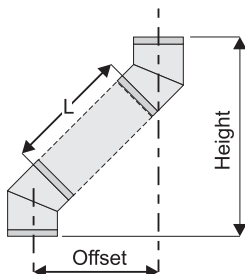
local codes. Note that for steep roof pitches, the vertical height must be increased. A poor draft, or down drafting can result from high wind conditions near big trees or adjoining roof lines, in these cases, increasing the vent height may solve the problem.

- 7) Ensure vent is vertical and secure the base of the flashing to the roof with roofing nails, slide storm collar over the pipe section and seal with a mastic.
- 8) Install the vertical termination cap by twist-locking it.

**Note:** Any closets or storage spaces, which the vent passes through must be enclosed.

## Offset Chart

GS 6" (152mm) Nominal Diameter ID					
Offset		Pipe Length (L)		Height	
inches	mm	inches	mm	inches	mm
4 3/4	121	0	0	13 1/4	337
9	229	6	152	17 1/2	445
11 1/4	286	9	229	19 1/2	495
13 1/4	337	12	305	21 3/4	552
21 3/4	552	24	610	30 1/4	768
30 1/4	768	36	914	39	991
38	965	48	1219	47	1194



## INSTALLATION PROCEDURES

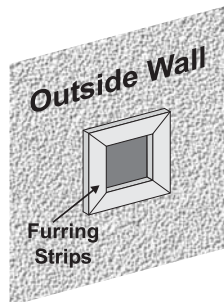
### for Regency® AstroCap™ Direct Vent System (Flex)

- 1) Locate the unit in the framing, rough in the gas. Locate the centerline of the termination and mark wall accordingly. Cut a 10" (254mm) hole in the wall (inside dimension).

**Note:** A 1-1/2" (38mm) clearance around the liner must be maintained except that only a 1" (25mm) clearance is needed at the termination end. We recommend framing a 10" (254mm) x 10" (254mm) (inside dimensions) hole to give structural rigidity for mounting the termination.

**Note:** If installing termination on a siding covered wall, furring strips must be used to ensure that the termination is not recessed into the siding.

**Note:** To make the installation more aesthetically pleasing, we recommend framing out square to mount the terminal to.



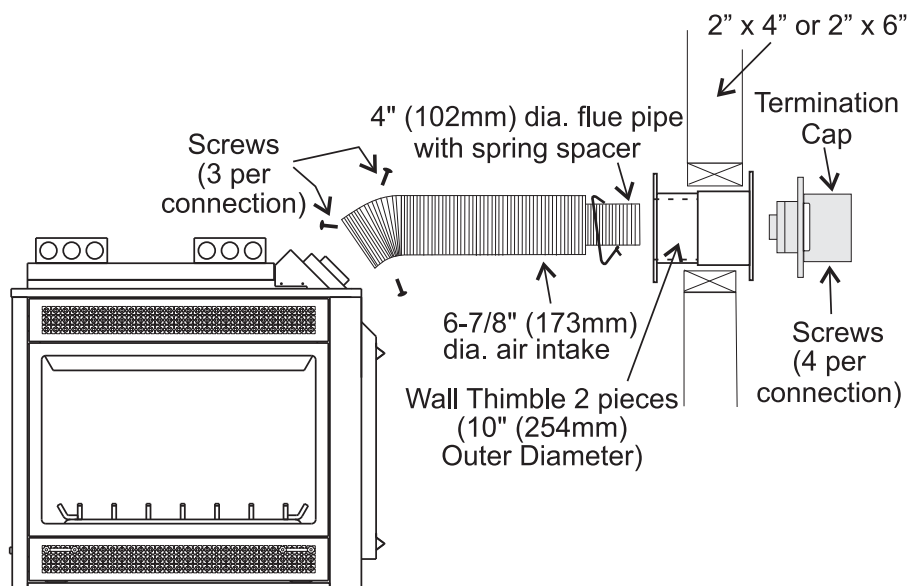
- 2) Level the fireplace and fasten it to the framing using nails or screws through the nailing strips.
- 3) Assemble the vent assembly by applying Mill Pac to the 4" (100mm) inner collar of the termination and slipping the 4" (100mm) liner over it at least 1-3/8" (35mm). Fasten with the 3 screws (drilling pilot holes will make this easier). Apply Mill Pac or high temperature silicone to the 6-7/8" (175mm) flex pipe and slip it over the 6-7/8" outer collar of the vent terminal at least 1-3/8" (35mm) and fasten with the 3 screws.

**NOTE:** Horizontal sections must be supported at intervals not exceeding 3 feet (0.9 meter). (Flame picture and performance will be affected by sags in the liner).

- 4) Separate the 2 halves of the wall thimble and securely fasten the one with the tabs to the outside wall making sure that the tabs are on top and bottom. Fasten the other thimble half to the inside wall. The thimble halves slip inside each other and can be adjusted for 2 x 4 or 2 x 6 walls. **The liners must slip over the collars a minimum of 1-3/8".**

- 5) Slip the assembled liner and termination assembly through the thimble making sure the termination cap faces up (there are markings on the cap that show which way is up). This will position the termination cap with proper down slope for draining water. Fasten the cap to the outer wall with the 4 supplied screws.
- 6) Pull the centre 4" (100mm) liner and outer 6-7/8" (175mm) liner out enough to slip over the flue collars of the fireplace. (You may wish to cut the liner shorter to make it more workable.) Do not bend liner more than 45°.
- 7) Apply Mill Pac over the fireplace inner collar and slip the 4" (100mm) liner down over it and attach with 3 supplied screws.
- 8) Do the same with the 6-7/8" (175mm) liner.
- 9) Apply a bead of silicone between the thimble and termination and around the outer edge of the terminal at the wall in order to keep the water out.

**IMPORTANT:** Do not locate termination hood where excessive snow or ice buildup may occur. Be sure to check vent termination area after snow falls, and clear to prevent accidental blockage of venting system. When using snow blowers, make sure snow is not directed towards vent termination area.



## CONVERSION KIT #731-969 FROM NG TO LP FOR P121-2/P121LC-2/P121RC-2/P131-2 USING SIT 820 NOVA GAS VALVE

**THIS CONVERSION MUST BE DONE BY A QUALIFIED GAS FITTER  
IF IN DOUBT DO NOT DO THIS CONVERSION !!**

**Each Kit contains one LPG Conversion Kit and one DC Sparker Kit.**

**LPG Conversion Kit Contains:**

Qty.	Part #	Description
1	904-529	5/32" Allen Key
1	904-641	Burner Orifice #50
1	918-590	Decal "Converted to LPG"
1	908-528	Red "LPG" label
1	910-037	LPG Injector (Pilot Orifice)
1	918-485	Instruction Sheet

**DC Sparker Kit Contains:**

Qty.	Part #	Description
1	820-475	Bracket DC Sparker
1	820-476	Bracket DC Sparker
1	904-153	Washer #8 External Star
1	904-330	Nut 8-32 Hex
2	904-531	Bushing Split Plastic 0.500 in.
1	904-543	Screw 8-32 x 3/4 Pan Head
2	904-553	Screw #8 x 1/2 Type "B", Black Oxide
1	910-073	Spark Generator Battery Holder
1	910-074	Spark Generator Switch C/W Wire
1	910-078	Battery Size AA Energizer En91
2	910-199	Clip Wire Holder
1	910-903	Wire Fan To Power Cord Ground 30 in.
	904-781	Velcro Hook, Black
	904-782	Velcro Hook, Black

- Remove the grate by lifting straight up. Remove the side brick panels (if installed). The **brick panel is very fragile - handle with care.**



- Remove the burner assembly by removing the 4 Phillips head screws and then slide the burner assembly away from the orifice and lift out.

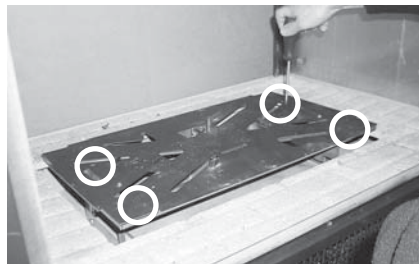


Diagram 1

Diagram 1 and 2: Remove the left and right screws and then slide the burner assembly away from the orifice and lift out.

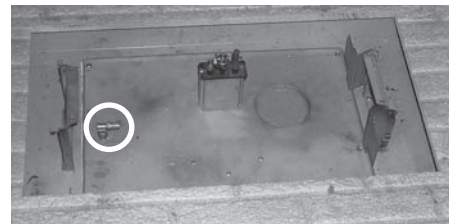


Diagram 2

- Unscrew the pilot orifice with the allen key and replace with the LPG pilot orifice in the kit and replace pilot cap.



- Remove burner orifice with a 1/2" wrench to hold onto the elbow behind the orifice and discard the orifice.



Burner Orifice

- Reinstall new burner orifice LPG stamped #50 and tighten.
- Turn control knob to the "OFF" position.
- Remove the black protection cap by hand from the high-low knob (Fig.1).

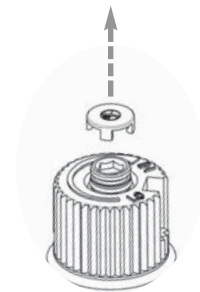
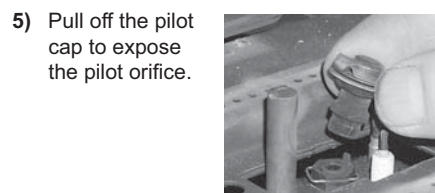


Fig. 1

**Installation of LPG Conversion Kit:**

- Remove the louvers and trim kit. Remove the front door.
- Remove the logs, embers.



- Pull off the pilot cap to expose the pilot orifice.

# INSTALLATION

- 11) Insert a 5/32" or 4mm Allen wrench into the hexagonal key-way of the screw (Fig. 2), rotate it counter-clockwise until it is free and extract it.

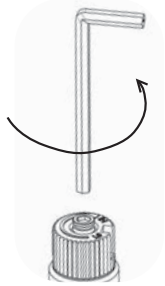


Fig. 2

- 12) Check that the screw is clean and if necessary remove dirt.

- 13) Flip the screw (Fig. 3).

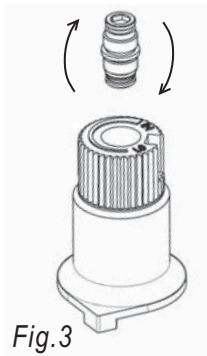


Fig. 3

- 14) Using the Allen wrench as shown in Fig. 4, rotate the screw clockwise until snug, do not overtighten.

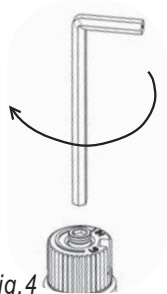


Fig. 4

**WARNING!**  
Do not over tighten the screw.  
Recommended to grip the wrench by the short side.

- 15) Verify that if the conversion is from NG to LPG, the screw must be re-assembled with the red o-ring visible (Fig. 5).

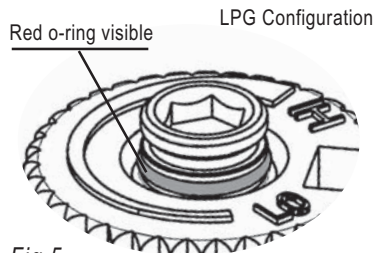


Fig. 5

- 16) Re-assemble the black protection cap (Fig. 6).

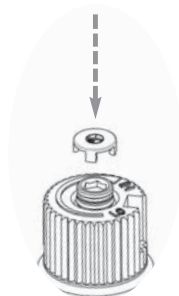


Fig. 6

**WARNING!**  
Also check that the pilot and main burner injectors are appropriate for the gas type.

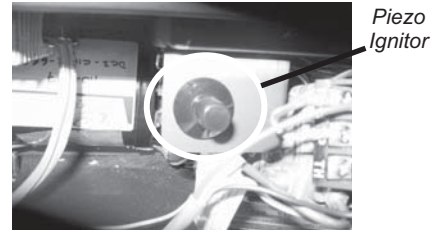
- 17) Reverse steps 4) to 1).

- 18) Attach the label "This unit has been converted to LPG" near or on top of the serial # decal.

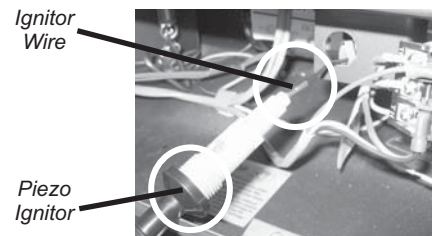
- 19) Replace yellow "NG" label with red "LPG" label.

## Installation of the DC Sparker:

- 20) Locate the Piezo Ignitor situated at the side of valve.



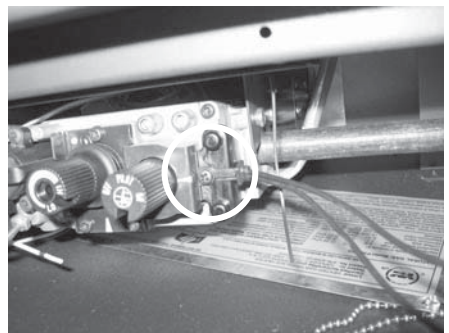
- 21) Remove the Piezo Ignitor by unscrewing the nut at the back of the mounting bracket.



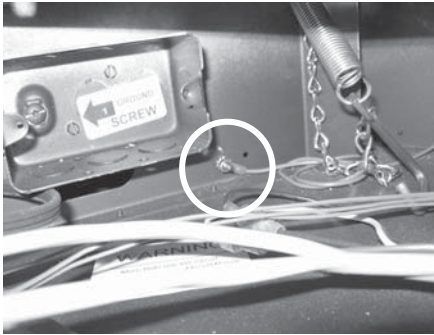
- 22) Disconnect the ignitor wire from the Piezo Ignitor and connect it to the D.C. Sparker.



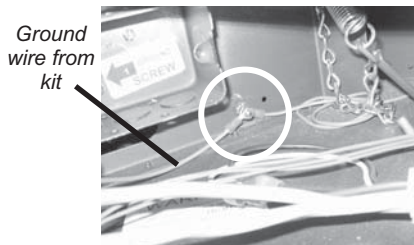
- 23) Connect the DC spark generator wires to the SIT Valve with the screw, which is provided in the kit.



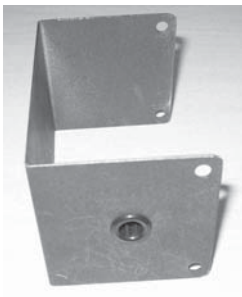
- 24) Locate the ground lug at the receptical box, left of the unit.



- 25) Connect one end of the supplied green ground wire to the lug with the nut and washer from the kit.

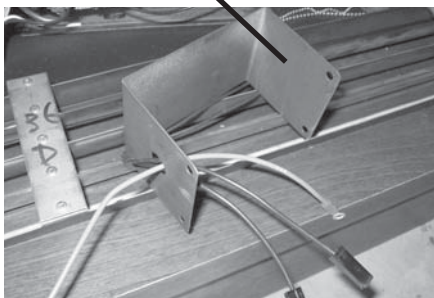


- 26) Install the 1/2" bushing to the heat shield.

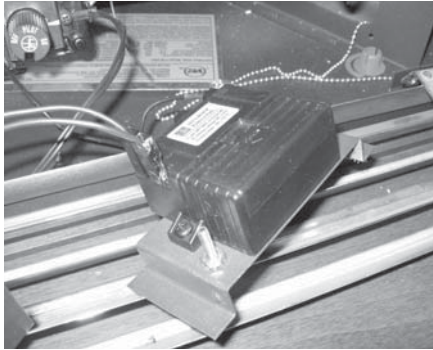


- 27) Run the other end of the ground wire and DC spark generator wires through the bushing on the heat shield.

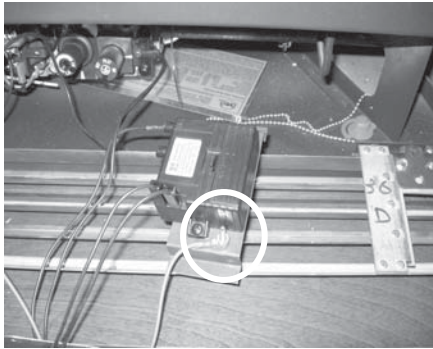
Heat Shield



- 28) Plug the DC spark generator wires to the DC Sparker.



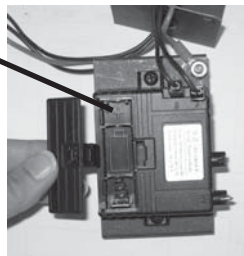
- 29) Connect the ground wire to the DC Sparker mounting bracket.



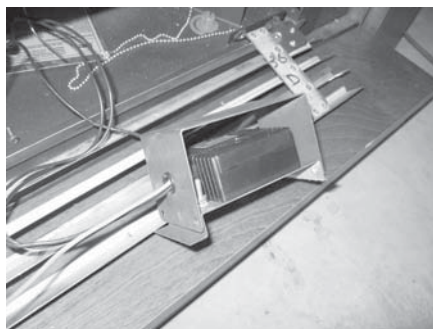
- 30) Install the supplied battery into the DC Sparker Box by opening the battery compartment.

**NOTE:** The battery in the DC Sparker Box will need to be replaced annually.

Battery Compartment

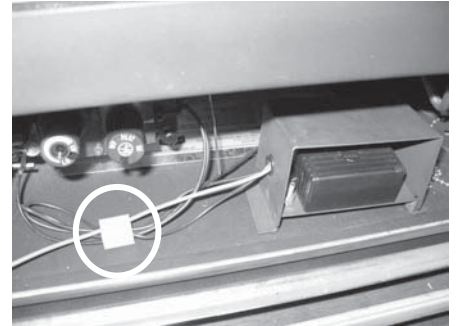


- 31) Mount the heat shield to the DC Sparker. Secure into place with the velcro, which is provided in the kit.



- 32) Find a location which is not too hot and is easy to reach for changing the battery.

- 33) Tie up the loose wire with the wire clip.



- 34) Check for gas leaks.

- 35) Check inlet and outlet pressures.

- 36) Check operation of flame control.

- 37) Check for proper flame appearance and glow on logs.

**Installer Notice:**  
These instructions must be left with the appliance.

# INSTALLATION

## P121/P121LC/P121RC/P131-NG1 System Data

For 0 to 4500 feet altitude  
**Burner Inlet Orifice Sizes:** #31

**Max. Input Rating** 40,000 Btu/h  
**Min. Input Rating** 20,500 Btu/h

**Supply Pressure** min.5.0" w.c.

**Manifold Pressure (High)** 3.8"+/- 0.2"w.c.

**Log Set:** Ceramic fibre, 8 per set.  
**Vent System:** Regency® Astrocap™, Regency® Direct Vent System (Flex) and Simpson Dura-Vent Direct Vent System

## P121/P121LC/P121RC/P131-LP1 System Data

Conversion Kit# 730-969

For 0 to 4500 feet altitude  
**Burner Inlet Orifice Sizes:** #50  
**Max. Input Rating** 39,000 Btu/h  
**Min. Input Rating** 20,600 Btu/h

**Supply Pressure** min.12.0" w.c.

**Manifold Pressure (High)** 11"+/- 0.2" w.c.

**Log Set:** Ceramic fibre, 8 per set.  
**Vent System:** Regency® Astrocap™, Regency® Direct Vent System (Flex) and Simpson Dura-Vent Direct Vent System

## HIGH ELEVATION

This unit is approved in Canada for altitude 0 to 4500 ft. (CAN1 2.17-M91).

## GAS LINE INSTALLATION

The gas line can be brought through either the right, the left side or the bottom of the appliance. The gas valve is situated on the bottom of the unit.

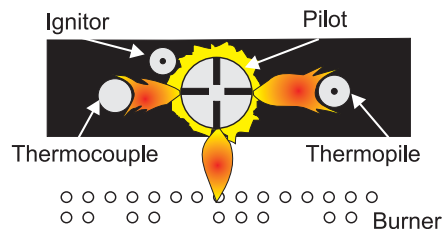
The gas line connection may be made of rigid pipe, copper pipe or an approved flex connector. (If you are using rigid pipe, ensure that the valve can be removed for servicing.) Since some municipalities have additional local codes it is always best to consult with your local authorities and the CAN/CGA B149 installation code.

For USA installations follow local codes and/or the current National Fuel Gas Code, ANSI Z223.1.

When using copper or flex connectors use only approved fittings. Always provide a union so that gas lines can be easily disconnected for servicing. Flare nuts for copper lines and flex connectors are usually considered to meet this requirement.

**Important: Always check for gas leaks with a soap and water solution or gas leak detector. Do not use open flame for leak testing.**

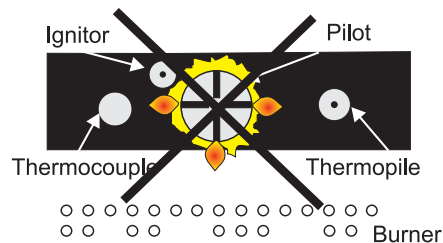
## PILOT ADJUSTMENT



**Periodically check the pilot flames. Correct flame pattern has three strong blue flames: 1 flowing around the thermopile, 1 around the thermocouple and 1 flowing across the burner (it does not have to be touching the burner).**

**Note: If you have an incorrect flame pattern, contact your Regency® dealer for further instructions.**

**Incorrect flame pattern will have small, probably yellow flames, not coming into proper contact with the rear burner or thermopile or thermocouple.**



## GAS PIPE PRESSURE TESTING

The appliance must be isolated from the gas supply piping system by closing its individual manual shut-off valve during any pressure testing of the gas supply piping system at test pressures equal to or less than 1/2 psig. (3.45 kPa). Disconnect piping from valve at pressures over 1/2 psig.

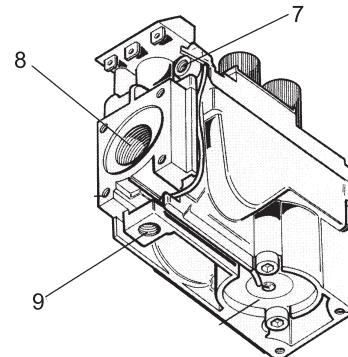
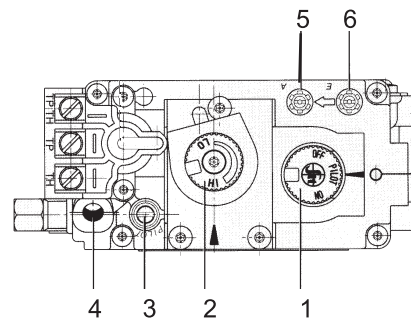
The manifold pressure is controlled by a regulator built into the gas control, and should be checked at the pressure test point.

**Note: To properly check gas pressure, both inlet and manifold pressures should be checked using the valve pressure ports on the valve.**

- 1) Make sure the valve is in the "OFF" position.
- 2) Loosen the "IN" and/or "OUT" pressure tap(s), turning counterclockwise with a 1/8" wide flat screwdriver.
- 3) Attach manometer to "IN" and/or "OUT" pressure tap(s) using a 5/16" ID hose.
- 4) Light the pilot and turn the valve to "ON" position.
- 5) The pressure check should be carried out with the unit burning and the setting should be within the limits specified on the safety label.
- 6) When finished reading manometer, turn off the gas valve, disconnect the hose and tighten the screw (clockwise) with a 1/8" flat screwdriver. **Note: Screw should be snug, but do not over tighten.**

## S.I.T. VALVE DESCRIPTION

- 1) Gas on/off knob
- 2) Manual high/low adjustment
- 3) Pilot Adjustment
- 4) Thermocouple Connection - option
- 5) Outlet Pressure Tap
- 6) Inlet Pressure Tap
- 7) Pilot Outlet
- 8) Main Gas Outlet
- 9) Alternative TC Connection Point



## LOG SET INSTALLATION

Read the instructions below carefully and refer to the diagrams. If logs are broken do not use the unit until they are replaced. Broken logs can interfere with the pilot operation.

Log Kit # 360-930 contains the following pieces:

- a) 326 Front Right Log
- b) 327 Front Left Log
- c) 328 Middle Right Log
- d) 329 Middle Left Log
- e) Embers (902-154)
- f) Platinum Embers (946-669) - supplied with packaged manual

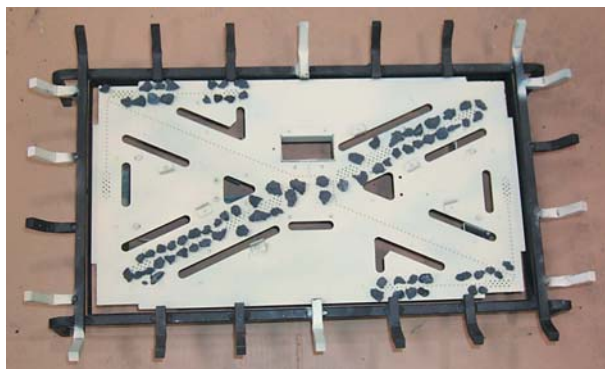
Please note that there are 2 of each log. This log set is mirrored front and back.



The 3-digit numbers (ie. 327) are molded into the rear of each log.

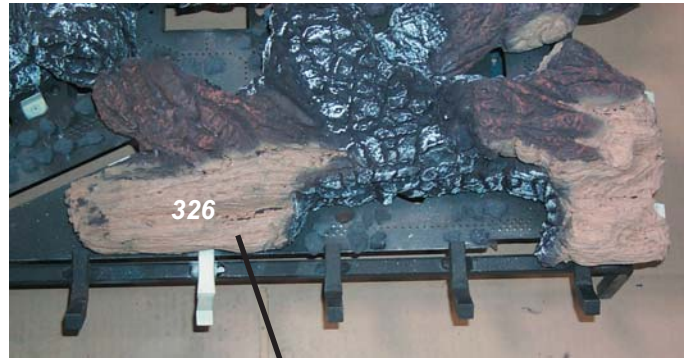
- 1) Carefully remove the logs from the box and unwrap them. The logs are fragile, handle with care - **do not force into position**.
- 2) Place embers on the burner as shown below.

Separate platinum embers and place on the burner over top of and around embers. Platinum embers can cover burner ports. Avoid stacking platinum embers.



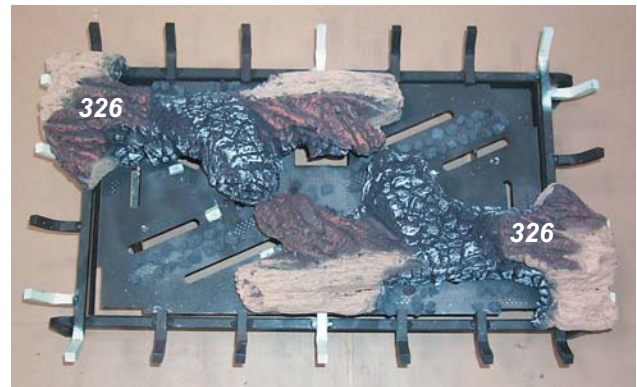
**IMPORTANT**  
When placing Embers, do not block burner ports as this can cause an incorrect flame pattern, carbon deposits and delayed ignition.

- 3) Place Log 326 on the front right side of the burner. Ensure that the notches on the far right side of the log fit into the grate posts. Push back side of the left end of the log up against the tab on the burner.

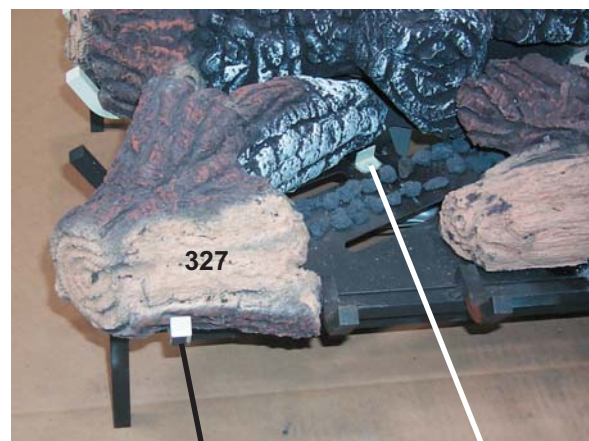


Push back side of the left end of the log up against the tab on the burner.

Repeat step 3 on the opposite side of the burner.



- 4) Place Log 327 on the front left side of the burner. Position the right end of the log in between the two tabs and the left end of the log into the grate post.

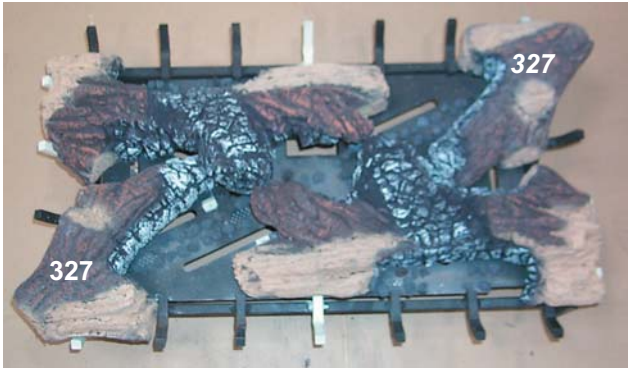


Grate Post

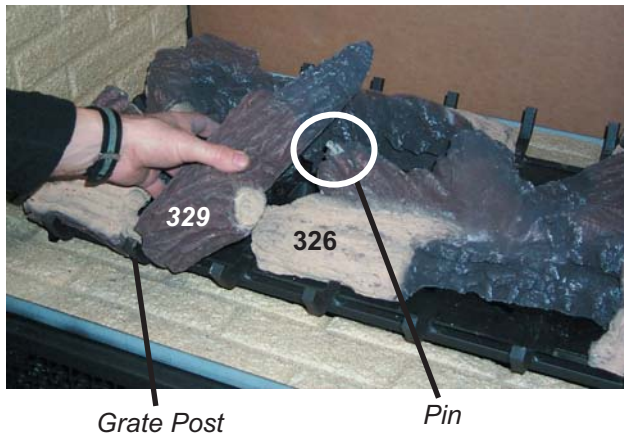
Tab on Burner

# INSTALLATION

Repeat step 4 on the opposite side of the burner.



- 5) Place Log 329 on the middle left side of the burner. Rest the bottom of the Log onto the second grate post from the left. Ensure that the log fits into a pin that is on Log 326.



Repeat step 5 on the opposite side of the burner.



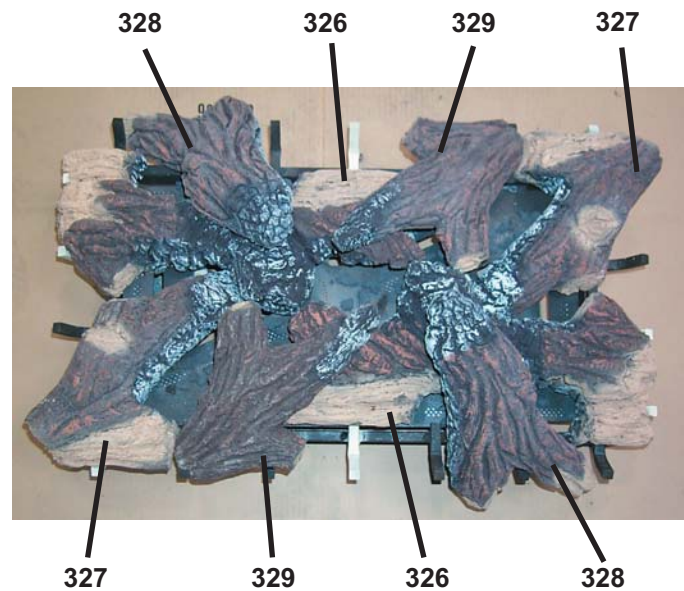
- 6) Place Log 328 on the middle right side of the burner. Ensure that the log fits over the 2nd grate post from the right.



Repeat step 6 on the opposite side of the burner.



Completed Log Set Installation:





### GLASS DOOR REMOVAL

- 1) Remove the 8 screws that secure the glass door.



- 2) Pull the door slightly out on an angle and then lift up and pull completely out.



- 3) P131 & P121LC/P121RC Corner Model: Remove the 6 screws that secure the glass door and repeat step 2.

### FINISHING TRIM

- 1) Slide the Side Finishing Trim up into the slot in the top flange of the fireplace. Push tight against the magnet at the base of the unit.



*Slide Trim into slot.*



*Push trim tight against magnet.*

- 2) Slide the Corner Finishing Trim up into the slot in the top flange of the fireplace. Push tight against the magnet at the base of the unit.



*Slide Trim into slot.*

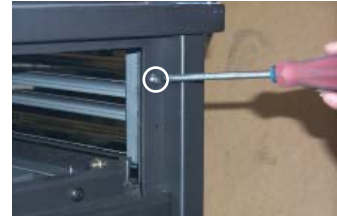


*Push trim tight against magnet.*

### LOUVERS & GRILLS

- 1) Attach the screws provided to the top left and right corners.

**NOTE: Do not tighten the screw entirely, ensure that some room is left to be able to hang the grill or louver over the screw.**



- 2) Hang the Top Louver or Grill onto the 2 screws in the top fireplace opening.



- 3) Attach the Bottom Louver or Grill to the hinges on the bottom flange of the fireplace.



#### P121-2 & P131-2 Corner Models

- 4) Attach the screws provided to the top and bottom, left and right corners similar to step 1.
- 5) Hang the top and bottom louver or grill onto the screws in the top and bottom, left and right sides of the fireplace opening.



*The Top and Bottom Side Louver or Grill is installed the same way.*

# INSTALLATION

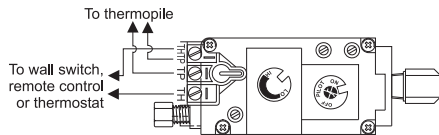
## Option 1: REMOTE CONTROL

**Can be used with Option 2 or 3 but not both.**

Use the Regency® Remote Control Kit approved for this unit. Use of other systems may void your warranty.

The remote control kit comes with a hand held transmitter, a receiver and a wall mounting plate.

- 1) Choose a convenient location on the wall to install the receiver and the receptacle box (protection from extreme heat is very important). Run wires from the fireplace to that location. Use the Thermostat Wire Table.
- 2) Connect the two wires to the gas valve. See diagram below.



**CAUTION**  
Do not connect millivolt remote control wires to a 120V wire.

- 3) Install 3 AAA alkaline batteries in transmitter and 4 AA alkaline batteries in the receiver. Install the receiver and its cover in the wall. Switch the remote receiver to "remote" mode. The remote control is now ready for operation.

## Option 2: WALL SWITCH

**Can be used with Option 1 or 3 but not both.**

- 1) Run the supplied 15' of wire through the back gas inlet opening. Be careful not to damage wire.

**Note: We recommend a maximum of 15' of wire but if you wish to go with a longer run, use the Thermostat Wire Table.**

- 2) Connect the wire to the supplied wall switch and install into the receptacle box.

**CAUTION**  
Do not connect millivolt all switch wire to a 120V wire.

## Option 3: WALL THERMOSTAT

**Can be used with Option 1 or 2 but not both.**

A wall thermostat may be installed if desired, connect the wires as per the wiring diagram. Use the table below to determine the maximum wire length.

**Note: Preferable if the thermostat is installed on an interior wall.**

Regency® offers an optional programmable thermostat but any 250-750 millivolt rated non-anticipator type thermostat that is CSA, ULC or UL approved may be used.

**CAUTION**  
Do not connect millivolt wall thermostat wires to a 120V wire.

### Thermostat Wire Table

Recommended Maximum Lead Length (Two-Wire) When Using Wall Thermostat (CP-2 System)	
Wire Size	Max. Length
14 GA.	50 Ft.
16 GA.	32 Ft.
18 GA.	20 Ft.
20 GA.	12 Ft.
22 GA.	9 Ft.

## WIRING DIAGRAMS

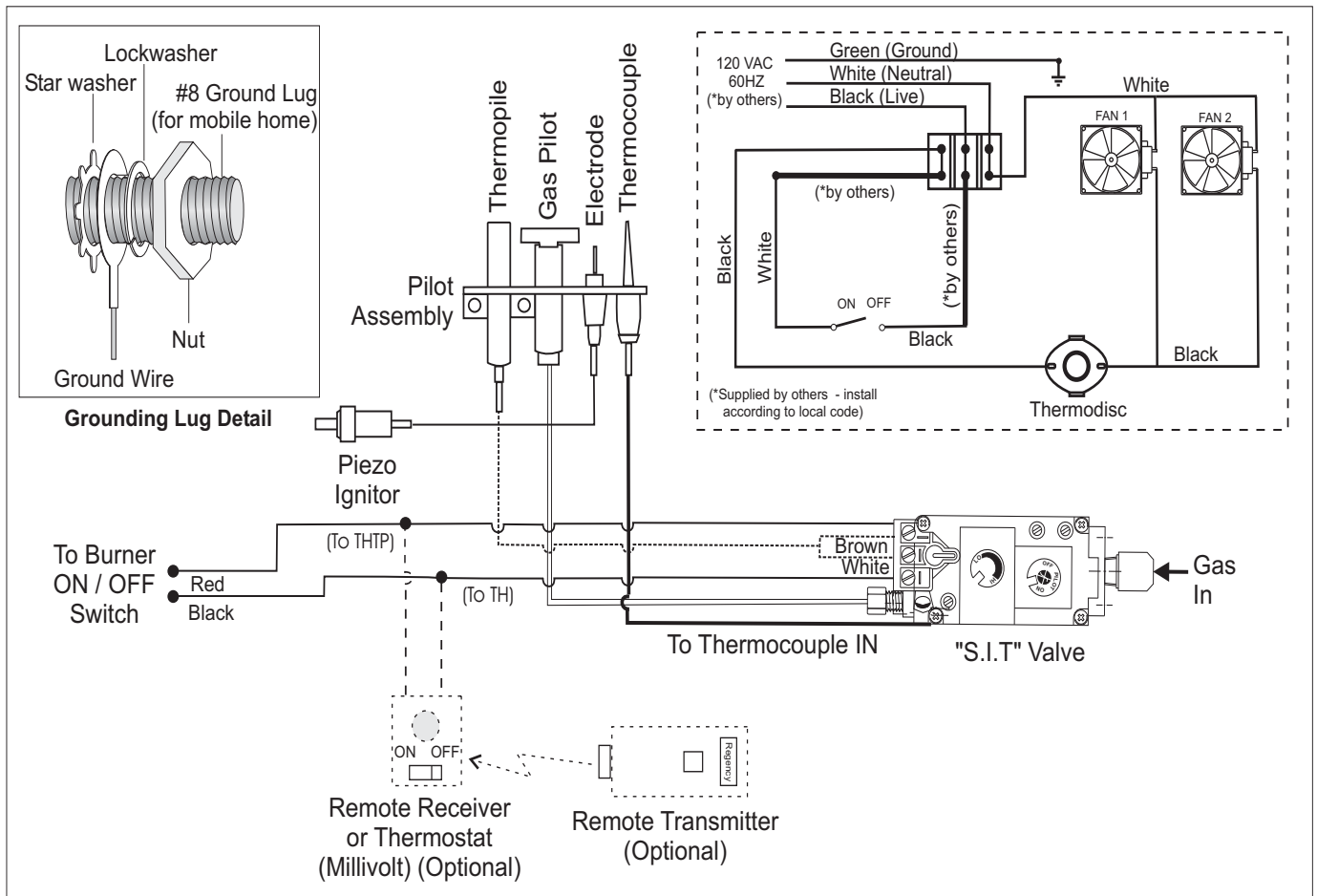
No electrical power supply is required for the gas control to operate. 120 Volt AC power is needed for the fan switch and blower. The fan can be hard wired if desired. A terminal block is provided on the left hand side of the unit.

A three wire power cord can also be used and plugged into a suitable receptacle.

**Caution:** Ensure that the wires do not touch any hot surfaces and are away from sharp edges.

**(Do not cut the ground terminal off under any circumstances.)**

### For NATURAL GAS Units and Units NOT Equipped with DC Spark Boxes

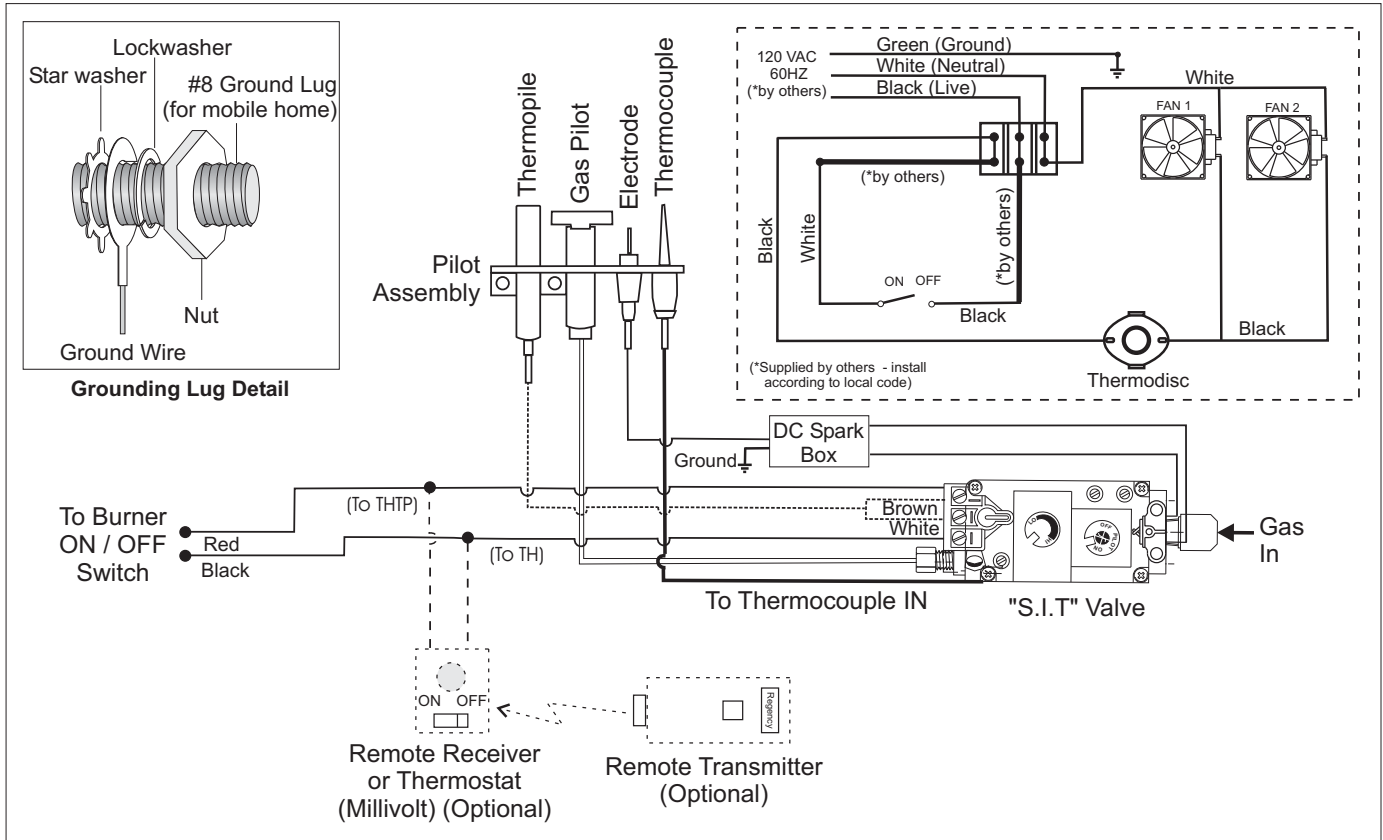


**CAUTION:** Label all wires prior to disconnection when servicing controls. Wiring errors can cause improper and dangerous operation.

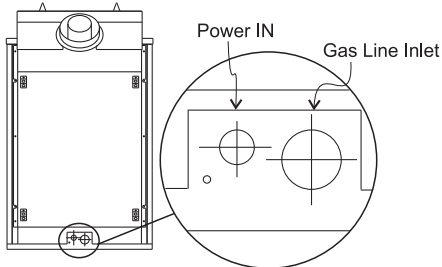
# INSTALLATION

## For PROPANE Units and Units Equipped with DC Spark Boxes\*

\*For installation of the DC Spark Box refer to the LP Conversion instructions in this manual.



### Terminal Block Location



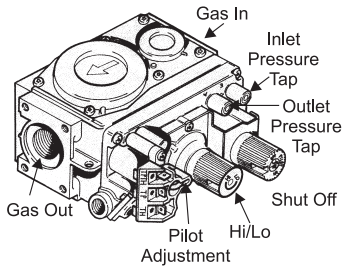
Terminal Block



Remove cover to access Terminal Block

## OPERATING INSTRUCTIONS

- 1) Read and understand these instructions before operating this appliance.
- 2) Check to see that all wiring is correct and enclosed to prevent possible shock.
- 3) Check to ensure there are no gas leaks.
- 4) Make sure the glass in the door frame is properly positioned. Never operate the appliance with the glass removed.
- 5) Verify that the venting and cap are unobstructed.
- 6) Ensure that the brick panels are installed.
- 7) Verify log placement. If the pilot cannot be seen when lighting the unit, the logs have been incorrectly positioned.
- 8) The unit should never be turned off, and on again without a minimum of a 60 second wait.



## LIGHTING PROCEDURE

### IMPORTANT

To ignite or reignite the pilot, remove one glass panel/door.

**NOTE: For all propane units and units equipped with electric spark boxes, see "Copy of Lighting Plate Instructions" section for more details.**

Only when the pilot holds, without pressure being applied to the control knob, resecure the glass panel to the unit. The unit **must not** be operated with the glass removed.

**IMPORTANT** Gas on/off knob cannot be turned from "PILOT" to "OFF" unless it is partially depressed.

- 1) Turn burner OFF using "ON/OFF" switch.
- 2) Turn gas control knob so indicator points to "OFF" position and allow 5 minutes for any gas in the combustion chamber to escape.

- 3) Turn gas control knob counterclockwise so indicator points to the "PILOT" position. Depress the gas control knob fully. Depress the igniter button several times until the pilot lights. After approximately one minute, release the gas control knob. The pilot flame should continue to burn. If the pilot does not remain lit, repeat operation allowing a longer period before releasing gas control knob.
- 4) When the pilot stays lit, turn the gas knob further counterclockwise to the "ON" position.
- 5) Use the wall switch, thermostat or remote control to turn on the unit.
- 6) Rotate the flame height regulator to adjust the flame height higher or lower.

## SHUTDOWN PROCEDURE

- 1) Use the wall switch, thermostat or remote control to turn off the main burner.
- 2) Turn the main gas control clockwise to the "OFF" position to turn off the pilot.

## FIRST FIRE

### DO NOT BURN THE APPLIANCE WITHOUT THE GLASS FRONT IN PLACE.

The first fire in your fireplace is part of the paint curing process. To ensure that the paint is properly cured, it is recommended that you burn your fireplace for at least four (4) hours the first time before you use it with the fan on.

When first operated, the unit will release an odour caused by the curing of the paint, the burning off of any oils remaining from manufacturing. Smoke detectors in the house may go off at this time. Open a few windows to ventilate the room for a couple of hours.

**Note: When the glass is cold and the appliance is lit, it may cause condensation and fog the glass. This condensation is normal and will disappear in a few minutes as the glass heats up.**

During the first few fires, a white film may develop on the glass front as part of the curing process. The glass should be cleaned after the unit has cooled down or the film will bake on and become very difficult to remove. Use a non-abrasive cleaner and DO NOT ATTEMPT TO CLEAN THE GLASS WHILE IT IS HOT.

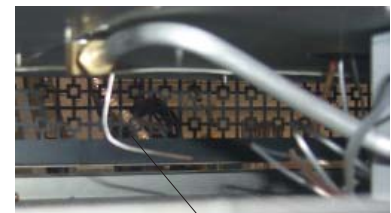
## AERATION ADJUSTMENT

The air shutter can be adjusted by moving the adjusting wire up or down. The wire is accessed through the bottom louver opening. Open the air shutter for a blue flame or close for a yellower flame. The burner aeration is factory set but may need adjusting due to either the local gas supply or altitude.

**Minimum Air Shutter Opening:**  
 3/16" Natural Gas  
 3/8" Propane

**CAUTION:** Carbon will be produced if air shutter is closed too much.

**Note:** Any damage due to carboning resulting from improperly setting the aeration controls is **NOT** covered under warranty.



Adjustment Wire - Push to close or pull to open aeration cap.

**Closed - Tall yellow**  
**Open - Short Blue**

**Note:** Aeration Adjustment should only be performed by an authorized Regency® Installer at the time of installation or service.

## NORMAL OPERATING SOUNDS OF GAS APPLIANCES

It is possible that you will hear some sounds from your gas appliance. This is perfectly normal due to the fact that there are various gauges and types of steel used within your appliance. Listed below are some examples. All are **normal operating sounds** and should not be considered as defects in your appliance.

### Blower:

Regency® gas appliances use high tech blowers to push heated air farther into the room. It is not unusual for the fan to make a "whirring" sound when ON.

### Burner Tray:

The burner tray is positioned directly under the burner tube(s) and logs and is made of a different gauge material from the rest of the firebox and body. Therefore, the varying thicknesses of steel will expand and contract at slightly different rates which can cause "ticking" and "cracking" sounds. You should also be aware that as there are temperature changes within the unit these sounds will likely re-occur. Again, this is normal for steel fireboxes.

### Blower Thermodisc:

When this thermally activated switch turns ON it will create a small "clicking" sound. This is the switch contacts closing and is normal.

### Pilot Flame:

While the pilot flame is on it can make a very slight "whisper" sound.

### Gas Control Valve:

As the gas control valve turns ON and OFF, a dull clicking sound may be audible, this is normal operation of a gas regulator or valve.

### Unit Body/Firebox:

Different types and thicknesses of steel will expand and contract at different rates resulting in some "cracking" and "ticking" sounds will be heard throughout the cycling process.

## COPY OF THE LIGHTING PLATE INSTRUCTIONS



### FOR YOUR SAFETY READ BEFORE LIGHTING

This appliance must be installed in accordance with local codes, if any; if none, follow the National Fuel Gas Code, ANSI Z223.1/NFPA 54, or Natural Gas and Propane Installation Codes, CSA B149.1. (Australia: AG601, New Zealand: NZS 5261)

**WARNING: If you do not follow these instructions exactly, a fire or explosion may result causing property damage, personal injury or loss of life. Improper installation, adjustment, alteration, service or maintenance can cause injury or property damage. Refer to the owner's information manual provided with this appliance. For assistance or additional information consult a qualified installer, service agency or gas supplier.**

- This appliance has a pilot which must be lighted by hand. When lighting the pilot, follow these instructions exactly.
- BEFORE LIGHTING smell all around the appliance area for gas. Be sure to smell next to the floor because some gas is heavier than air and will settle on the floor.  
WHAT TO DO IF YOU SMELL GAS
  - Do not try to light any appliance.
  - Do not touch any electric switch, do not use any phone in your building.
  - Immediately call your gas supplier from a neighbour's phone. Follow the gas supplier's instructions.
  - If you cannot reach your gas supplier, call the fire department.
- Use only your hand to push in or turn the gas control knob. Never use tools. If the knob will not push in or turn by hand, don't try to repair it, call a qualified service technician. Force or attempted repair may result in a fire or explosion.
- Do not use this appliance if any part has been under water. Immediately call a qualified service technician to inspect the appliance and to replace any part of the control system and any gas control which has been under water.
- This appliance needs fresh air for safe operation and must be installed so there are provisions for adequate combustion and ventilation air.

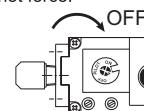
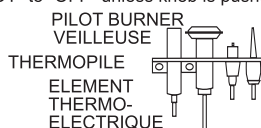
**CAUTION: Hot while in operation. Do not touch. Severe Burns may result. Due to high surface temperatures keep children, clothing and furniture, gasoline and other liquids having flammable vapors away. Keep burner and control compartment clean. See installation and operating instructions accompanying appliance.**



### LIGHTING INSTRUCTIONS

**STOP! Read the safety information above on this label.**

#### FOR UNITS NOT EQUIPPED WITH ELECTRIC SPARK BOXES:

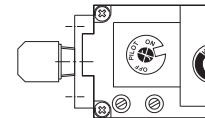
- Push in gas control knob slightly and turn clockwise  to "OFF". Knob cannot be turned from "PILOT" to "OFF" unless knob is pushed in slightly. Do not force.




- Wait five (5) minutes to clear out any gas. If you then smell gas STOP! Follow step "B" in the Safety Information above on this label. If you don't smell gas, go to the next step.
- Turn knob on gas control counterclockwise  to "PILOT".
- Push in control knob all the way and hold in. Continually push and release the black button on spark igniter until pilot lights. Continue to hold the control knob in for about 1/2 minute after the pilot is lit. Release knob and it will pop back up. Pilot should remain lit. If it goes out, repeat steps 1) to 4). If knob does not pop up when released, stop and immediately call your service technician or gas supplier. If the pilot will not stay lit after several tries, turn the gas control knob to "OFF" and call your service technician or gas supplier.
- Turn gas control knob counterclockwise  to "ON".
- Use rocker switch to operate main burner.

#### FOR ALL PROPANE UNITS AND UNITS EQUIPPED WITH ELECTRIC SPARK BOXES:

- Push in gas control knob slightly and turn to "PILOT" position.
- Push in control knob all the way and hold in until the pilot lights up. Continue to hold the control knob in for about 20 seconds after the pilot is lit. Release knob.
- Push in gas control knob slightly and turn to "ON" position.
- Turn ON the flame switch.



### TO TURN OFF GAS APPLIANCE

- Turn off the flame switch.
- Push in the gas control knob slightly and turn clockwise  to "OFF". Do not force.
- Turn off all electric power to the appliance if service is to be performed.  
You may shut off the pilot during prolonged non use periods to conserve fuel.

**DO NOT REMOVE THIS INSTRUCTION PLATE**

918-473a

## MAINTENANCE INSTRUCTIONS

- 1) Always turn off the gas valve before cleaning. For relighting, refer to lighting instructions. Keep the burner and control compartment clean by brushing and vacuuming at least once a year. When cleaning the logs, use a soft clean paint brush as the logs are fragile and easily damaged.
- 2) Clean appliance and door with a damp cloth (never when unit is hot). Never use an abrasive cleaner. The glass should be cleaned with a gas fireplace glass cleaner. **The glass should be cleaned when it starts looking cloudy.**
- 3) The heater is finished in a heat resistant paint and should only be refinished with heat resistant paint. Regency® uses StoveBright Paint - Metallic Black #6309.
- 4) Make a periodic check of burner for proper position and condition. Visually check the flame of the burner periodically, making sure the flames are steady; not lifting or floating. If there is a problem, call a qualified service person.
- 5) The appliance and venting system must be inspected before use, and at least annually, by a qualified field service person, to ensure that the flow of combustion and ventilation air is not obstructed.

**Note: Never operate the appliance without the glass properly secured in place.**

- 6) Do not use this appliance if any part has been under water. Immediately call a qualified service technician to inspect the appliance and to replace any part of the control system and any gas control which has been under water.
- 7) In the event this appliance has been serviced check that the vent-air system has been properly resealed & reinstalled in accordance with the manufacturer's instructions.
- 8) Verify operation after servicing.

### General Vent Maintenance

Conduct an inspection of the venting system semi-annually. Recommended areas to inspect as follows:

- 1) Check the Venting System for corrosion in areas that are exposed to the elements. These will appear as rust spots or streaks, and in extreme cases, holes. These components should be replaced immediately.

- 2) Remove the Cap, and shine a flashlight down the Vent. Remove any bird nests, or other foreign material.
- 3) Check for evidences of excessive condensation, such as water droplets forming in the inner liner, and subsequently dripping out the joints. Continuous condensation can cause corrosion of caps, pipe, and fittings. It may be caused by having excessive lateral runs, too many elbows, and exterior portions of the system being exposed to cold weather.
- 4) Inspect joints, to verify that no pipe sections or fittings have been disturbed, and consequently loosened. Also check mechanical supports such as Wall Straps, or plumbers' tape for rigidity.

## LOG REPLACEMENT

The unit should never be used with broken logs. Turn off the gas valve and allow the unit to cool before opening door and carefully remove the logs. (The pilot light generates enough heat to burn someone.) If for any reason a log should need replacement, you must use the proper replacement log. The position of these logs must be as shown in the diagrams under Log Installation.

**Note: Improper positioning of logs may create carbon build-up and will severely alter the unit's performance which is not covered under warranty.**

## THERMOPILE / THERMOCOUPLE

- 1) Open the Bottom Louvers or Grills. Remove the Top Louver or Grill.
- 2) Remove the Trim Kit, Glass Door, Log Set, Grate and Burner Assembly (see the "Log Installation" & "Glass Door Removal" sections).
- 3) Disconnect thermocouple by loosening nut from the valve with a 9mm wrench. Disconnect thermopile by loosening 2 screws marked TP on the valve.
- 4) Remove 2 screws from the pilot assembly and pull up far enough to be able to loosen the thermocouple or thermopile with a 7/16" wrench. NOTE: the pilot line is very fragile, use caution when pulling it up.
- 5) Drop the thermocouple or thermopile down through the extrusion and pull it out of the unit.
- 6) Reinstall the new ones in reverse order.

## GLASS GASKET

If the glass gasket requires replacement use a tadpole glass gasket (Part # 936-155).

## DOOR GLASS

Your Regency® fireplace is supplied with high temperature 5mm-Tempered glass & 5mm-Ceramic glass. If your glass requires cleaning, we recommend using an approved glass cleaner available at all authorized dealers. Do not use abrasive materials.

### CAUTION & WARNINGS:

- \* Do not clean when the glass is hot.
- \* The use of substitute glass will void all product warranties.
- \* Care must be taken to avoid breakage of the glass.
- \* Do not strike or abuse the glass.
- \* Do not operate this fireplace without the glass front or with a cracked or broken glass front.
- \* Wear gloves when removing damaged or broken glass.
- \* Replacement of the glass panels should be done by a licensed or qualified service person.

### GLASS REPLACEMENT

In the event that you break your glass by impact, purchase your replacement from an authorized Regency dealer only. Replacement glass is shipped already installed into the door frame. Reinstall as per Glass Door Installation in the "Glass Door Removal" section.

### REPLACEMENT PARTS:

Front Door - Tempered (Part# 360-528)  
 Side Door - Tempered (Part# 360-529)  
 Front Door - Ceramic (Part# 360-538)  
 Side Door - Ceramic (Part# 360-539)

## GOLD-PLATED Accessories

The 24 carat gold-plated finish requires little maintenance, and need only be cleaned with a damp cloth. DO NOT use abrasive materials or chemical cleaners, as they may harm the finish and void the warranty. **Clean any fingerprints off before turning the unit on.**

## REMOVING VALVE

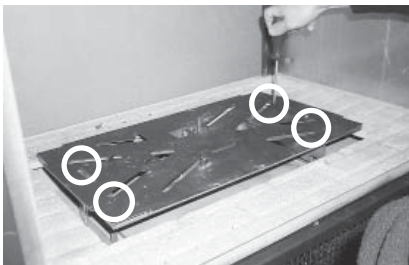
- 1) Shut off the gas supply.
- 2) Remove the louvers and trim kit. Remove the front door.
- 3) Remove the logs, embers.
- 4) Remove the grate by lifting straight up.



- 5) Remove the side brick clip in the top of the firebox and then slide the Side Brick Panel out. **The brick panels are very fragile - handle with care.**



- 6) Remove the burner by removing the 4 screws.



- 7) Slide the burner assembly away from the orifice and lift out.



- 8) Remove the Side Base Brick Panels and finally the Long Base Brick Panels.

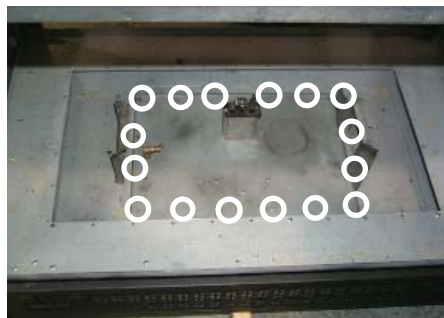


Remove Left & Right Side Base Brick Panels



Remove the 2 Long Base Brick Panels

- 9) Disconnect the inlet gas line.
- 10) Disconnect the 2 TP wires and the 2 TH wires from the valve.
- 11) Remove the 16 Phillips head screws securing the valve tray.



- 12) Lift the entire assembly out.



- 13) Undo the pilot tube from the valve with a 7/16" wrench.
- 14) Undo the quick drop out thermocouple nut on the valve with a 9mm (metric) wrench.
- 15) Remove the Piezo igniter wire and push button assembly.
- 16) Undo the "gas out" flare nut with a 13/16" wrench.
- 17) Undo the "gas out" flare fitting with an 11/16" wrench.
- 18) Remove the 6 Phillips head screws from the sides of the valve bracket and remove valve.

**Hint:** *If you are using black pipe, ensure that there is a union by the valve, otherwise removal will be almost impossible.*



## INSTALLING VALVE

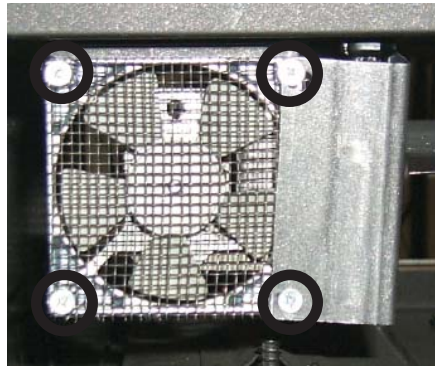
- 1) Attach the valve to the valve bracket with the 6 (m5x8 metric) screws provided.
- 2) Reconnect the "gas out" flare fitting with an 11/16" wrench.
- 3) Reconnect the "gas out" flare nut with a 13/16" wrench.
- 4) Install piezo ignitor push button assembly and reconnect wire.
- 5) Reconnect the quick drop out thermocouple nut with a 9mm wrench.
- 6) Reconnect the pilot tube nut with a 7/16" wrench.
- 7) Scrape off the old gasket from the floor of the firebox and from the valve tray assembly.
- 8) Install a new gasket and reinstall the valve tray assembly.

**Note: Failure to install a new gasket may severely affect the appliance performance.**

- 9) Reinstall the 16 hold down screws.
- 10) Hook up the 2 TP and 2 TH wires to the appropriate connections on the valve.
- 11) Reinstall the Burner Assembly.
- 13) Hook up the gas line and check for gas leaks with a soap and water solution or a gas leak detector. (Do not use open flame for leak testing.)
- 14) Fire up the unit temporarily
- 15) Check the manifold pressure.
- 16) Reinstall the logs, grate and brick panels as needed.
- 17) Reinstall the glass doors.
- 18) Fire up the unit again and check for proper flame appearance.

## FAN REPLACEMENT

- 1) Shut off power.
- 2) Remove top louvers.
- 3) Unplug power wires.
- 4) Remove 4 screws securing fan to mounting bracket.



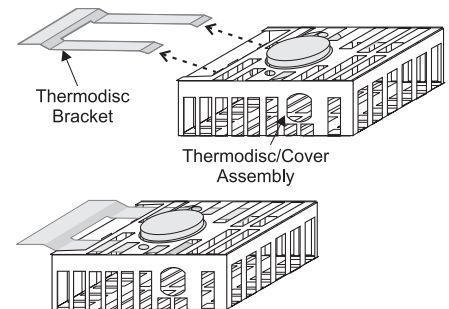
- 5) Remove 2 connector wires.



Connector wires

- 6) Replace fan.
- 7) Repeat for opposite side/corner.
- 8) Reverse steps 1 - 5 for installation.

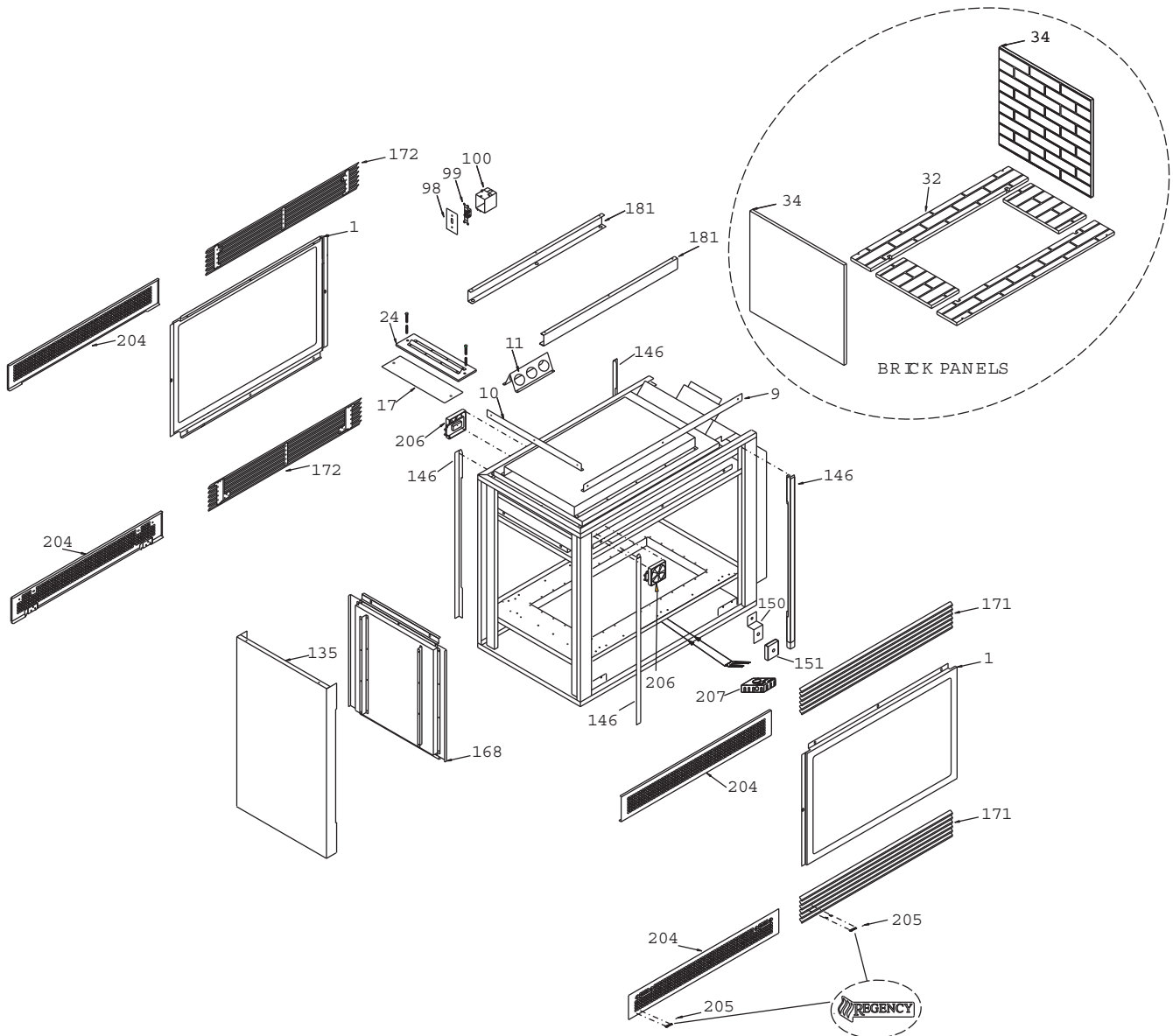
9) To remove the thermodisc, located at the back center of the unit, slide the thermodisc/cover assembly away from the bracket clip on the under side of the firebox. Reverse for installation. Ensure that no wires will touch hot surfaces.



# PARTS LIST

## P121-2 (SEE THRU) MAIN ASSEMBLY

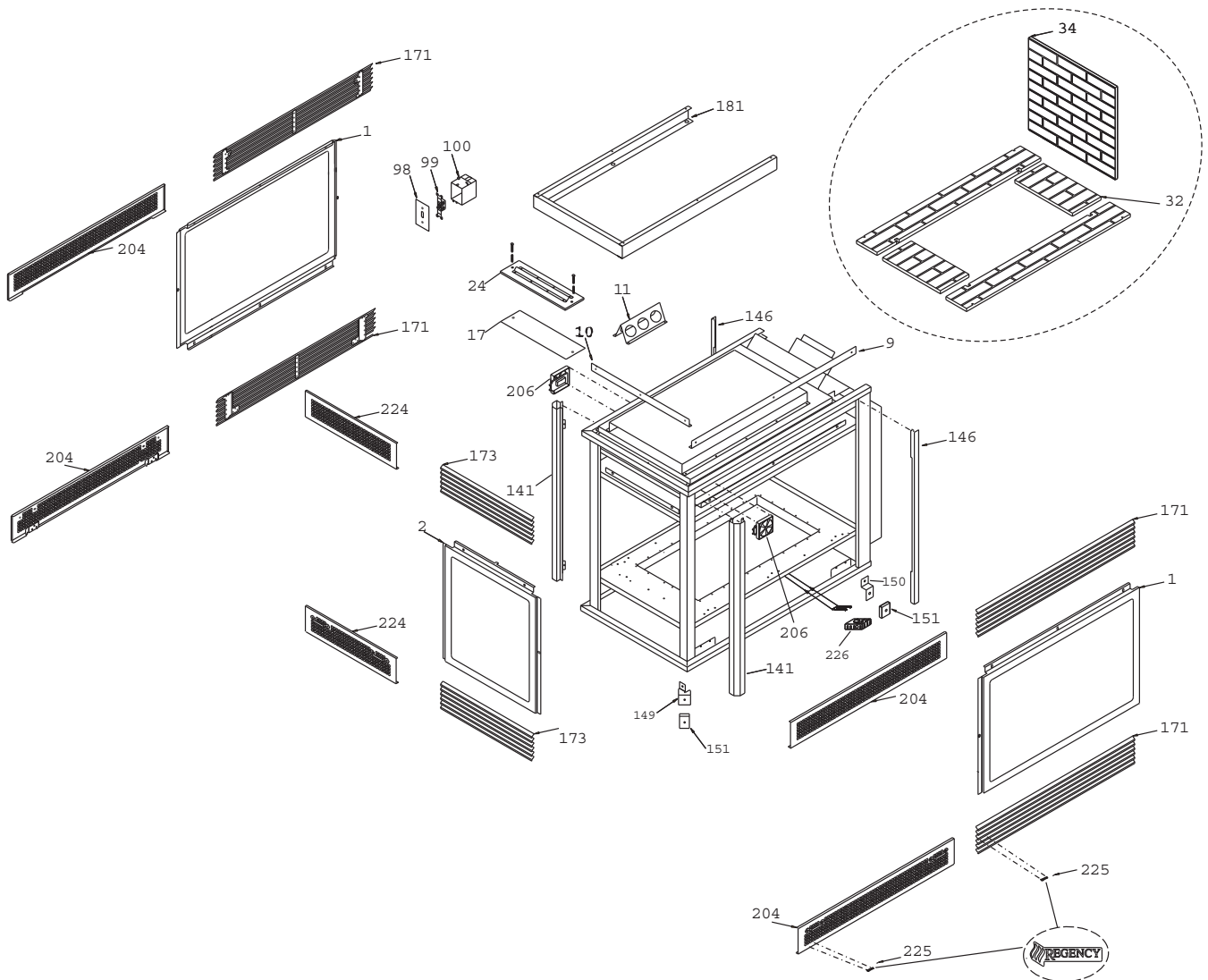
Part #	Description	Part #	Description	Part #	Description
1)	360-528 Door Assy Front - Tempered 360-538 Door Assy Front - Ceramic (Optional)	98)	910-366 Switch Cover Plate	181) *	Extension Trim - See Thru
2)	360-529 Door Assy Side - Tempered 360-539 Door Assy Side - Ceramic (Optional)	99)	910-363 Wall Switch	204)	360-940 Dec. Grill Front - Black (set)
9)	360-046 Nailing Strip - Top - Front	100)	910-367 Switch Receptacle Plastic Box	205)	948-216 Regency® Logo Plate
10)	360-047 Nailing Strip - Top - Side	910-882	Wire - Valve to Burner Switch	206)	910-171 Fan Axial 115V
11)	430-001 Standoff - Top	135)	360-069 Heat Shield - Side	207)	910-142 Thermodisc
17)	360-086 Gasket - Relief Door	146)	360-033 Left Side Door Trim		918-519 Manual
24)	* Relief Door Assembly	360-034	Right Side Door Trim		
		150)	360-123 Magnet Bracket - Front		
		151)	904-258 Magnet		
		168)	360-068 Door Cover Assembly - Side		
		171)	360-920 Louver Front - Black (set)		
32)	362-528 Brick Panel Base (Set of 6)	360-922	Louver Front - Black/Gold (set)		
34)	902-603 Brick Panel - Std. Red (Side)	360-924	Louver Front - Black/Steel (set)		



P131-2 (PIER) MAIN ASSEMBLY

Part #	Description	Part #	Description	Part #	Description
1) 360-528	Door Assy Front - Tempered	98) 910-366	Switch Cover Plate	173) 360-932	Louver Side - Black (set)
360-946	Door Assy Front - Ceramic (Optional)	99) 910-363	Wall Switch	360-934	Louver Side - Black/Gold (set)
2) 360-529	Door Assy Side - Tempered	100) 910-367	Switch Receptacle Plastic Box	360-936	Louver Side - Black/Steel (set)
360-948	Door Assy Side- Ceramic (Optional)	910-882	Wire - Valve to Burner Switch	181) *	Extension Trim - Pier
9) 360-046	Nailing Strip - Top - Front	141) 360-031	Column Finishing Trim	204) 360-940	Dec. Grill Front - Black (set)
10) 360-047	Nailing Strip - Top - Side	146) 360-035	Finishing Trim	206) 910-171	Fan Axial 115V
11) 430-001	Standoff - Top	149) 360-122	Magnet Bracket - Corner	224) 360-942	Dec. Grill Side - Black (set)
17) 360-086	Gasket - Relief Door	150) 360-123	Magnet Bracket - Front	225) 948-216	Regency® Logo Plate
24) *	Relief Door Assembly	151) 904-258	Magnet	226) 910-412	Thermodisc
32) 362-528	Brick Panel Base (Set of 6)	171) 360-920	Louver Front - Black (set)	918-519	Manual
34) 902-603	Brick Panel - Side Std. Red	360-922	Louver Front - Black/Gold (set)		
		360-924	Louver Front - Black/Steel (set)		

\*Not available as a replacement part.

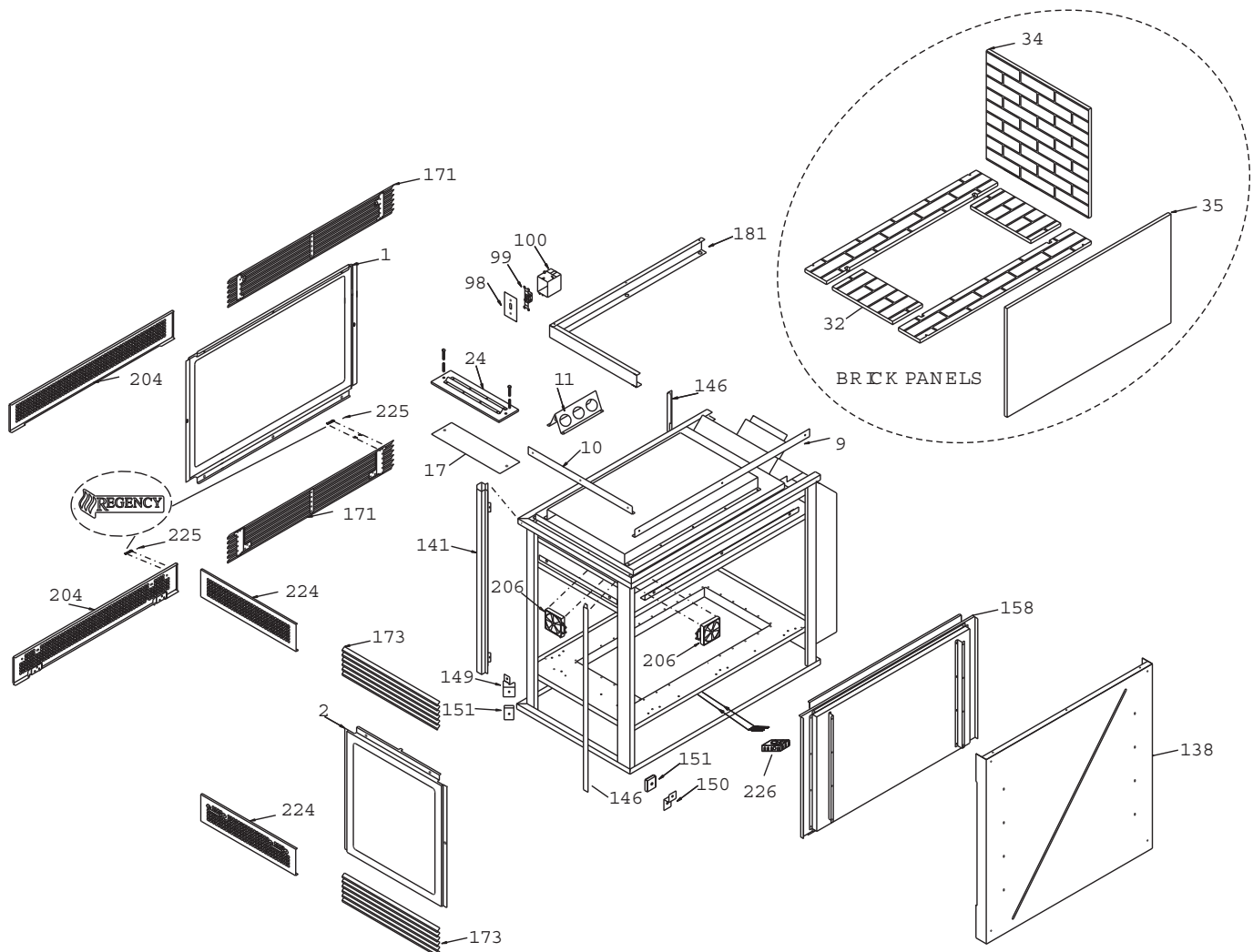


# PARTS LIST

## P121RC-2 (RIGHT CORNER) MAIN ASSEMBLY

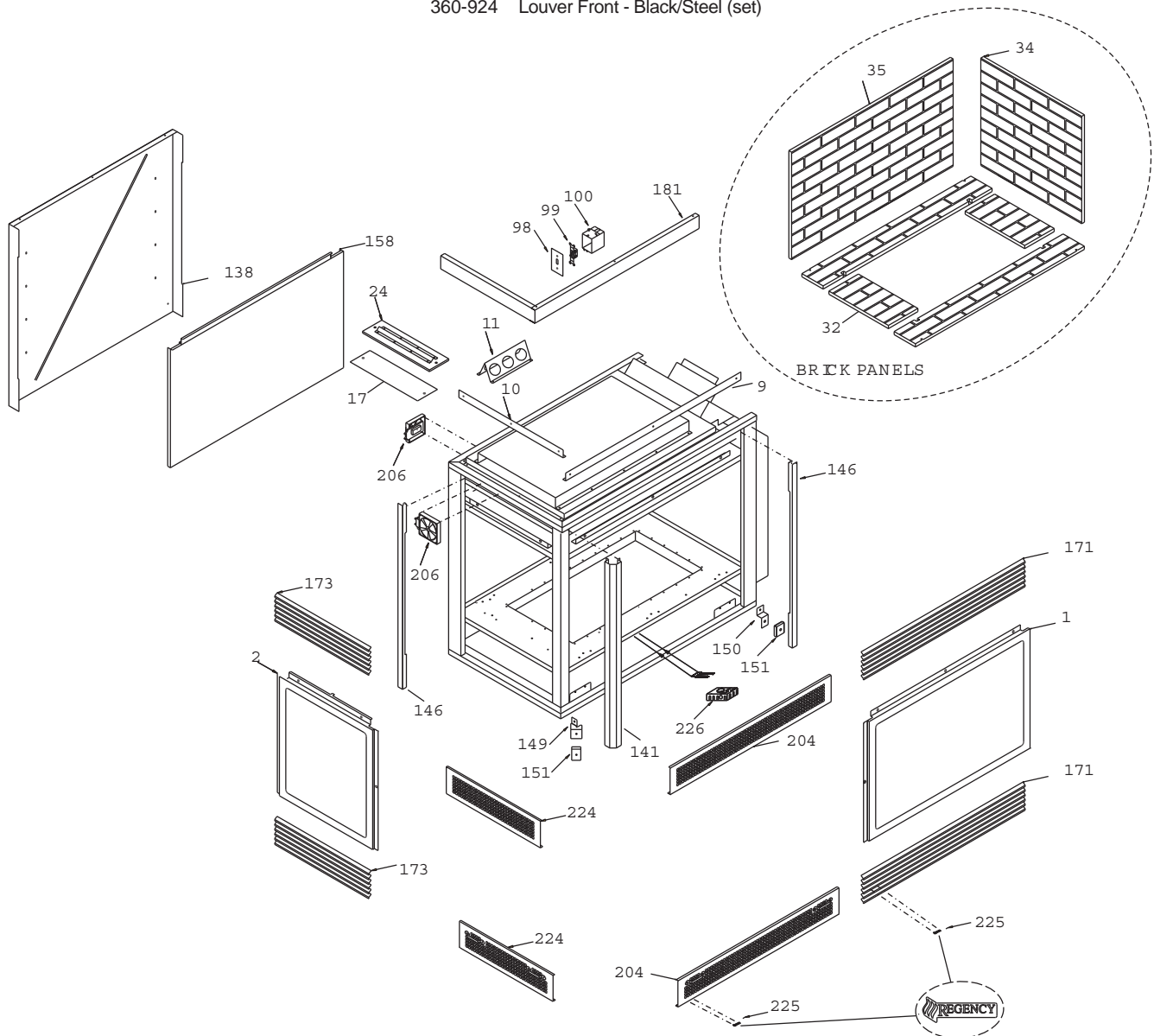
Part #	Description	Part #	Description	Part #	Description
1)	360-528 Door Assy Front - Tempered 360-538 Door Assy Front - Ceramic (Optional)	98)	910-366 Switch Cover Plate	173)	360-932 Louver Side - Black (set)
		99)	910-363 Wall Switch	360-934	Louver Side - Black/Gold (set)
		100)	910-367 Switch Receptacle Plastic Box	360-936	Louver Side - Black/Steel (set)
2)	360-529 Door Assy Side - Tempered 360-539 Door Assy Side - Ceramic (Optional)	910-882	Wire - Valve to Burner Switch	181) *	Extension Trim
		138)	360-063 Heat Shield - Front	204)	360-940 Dec. Grill Front - Black (set)
		141)	360-031 Column Finishing Trim	206)	910-171 Fan Axial 115V
				224)	360-942 Dec. Grill Side - Black (set)
9)	360-046 Nailing Strip - Top - Front	146)	360-035 Finishing Trim - Left Side	225)	948-216 Regency® Logo Plate
10)	360-047 Nailing Strip - Top - Side	149)	360-122 Magnet Bracket - Corner	226)	910-142 Thermodisc
11)	430-001 Standoff - Top 780-013 Standoff - Rear	150)	360-123 Magnet Bracket - Front		
17)	360-086 Gasket - Relief Door	151)	904-258 Magnet	918-519	Manual
24)	* Relief Door Assembly	158)	360-060 Door Cover Assembly-Front		
		171)	360-920 Louver Front - Black (set)		
32)	362-528 Brick Panel Base (Set of 6)	360-922	Louver Front - Black/Gold (set)		
34)	902-603 Brick Panel - Side Std. Red	360-924	Louver Front - Black/Steel (set)		
35)	902-604 Brick Panel - Front Std. Red				

\*Not available as a replacement part.



## P121LC-2 (LEFT CORNER) MAIN ASSEMBLY

Part #	Description	Part #	Description	Part #	Description
1)	360-528 Door Assy Front - Tempered	98)	910-366 Switch Cover Plate	173)	360-932 Louver Side - Black (set)
	360-538 Door Assy Front - Ceramic (Optional)	99)	910-363 Wall Switch		360-934 Louver Side - Black/Gold (set)
		100)	910-367 Switch Receptacle Plastic Box		360-936 Louver Side - Black/Steel (set)
2)	360-529 Door Assy Side - Tempered		910-882 Wire - Valve to Burner Switch	204)	360-940 Dec. Grill Front - Black (set)
	360-539 Door Assy Side - Ceramic (Optional)	138)	360-069 Heat Shield - Front	206)	910-171 Fan Axial 115V
				224)	360-942 Dec. Grill Side - Black (set)
9)	360-046 Nailing Strip - Top - Front	141)	360-031 Column Finishing Trim	225)	948-216 Regency® Logo Plate
10)	360-047 Nailing Strip - Top - Side	146)	360-035 Finishing Trim	226)	910-142 Thermodisc
11)	430-001 Standoff - Top	149)	360-122 Magnet Bracket - Corner		
		150)	360-123 Magnet Bracket - Front	918-519	Manual
17)	360-086 Gasket - Relief Door	151)	904-258 Magnet		
24)	* Relief Door Assembly	158)	360-062 Door Cover Assembly-Front		
					*Not available as a replacement part.
32)	362-528 Brick Panel Base (Set of 6)	171)	360-920 Louver Front - Black (set)		
34)	902-603 Brick Panel - Side Std. Red		360-922 Louver Front - Black/Gold (set)		
35)	902-604 Brick Panel - Front Std. Red		360-924 Louver Front - Black/Steel (set)		

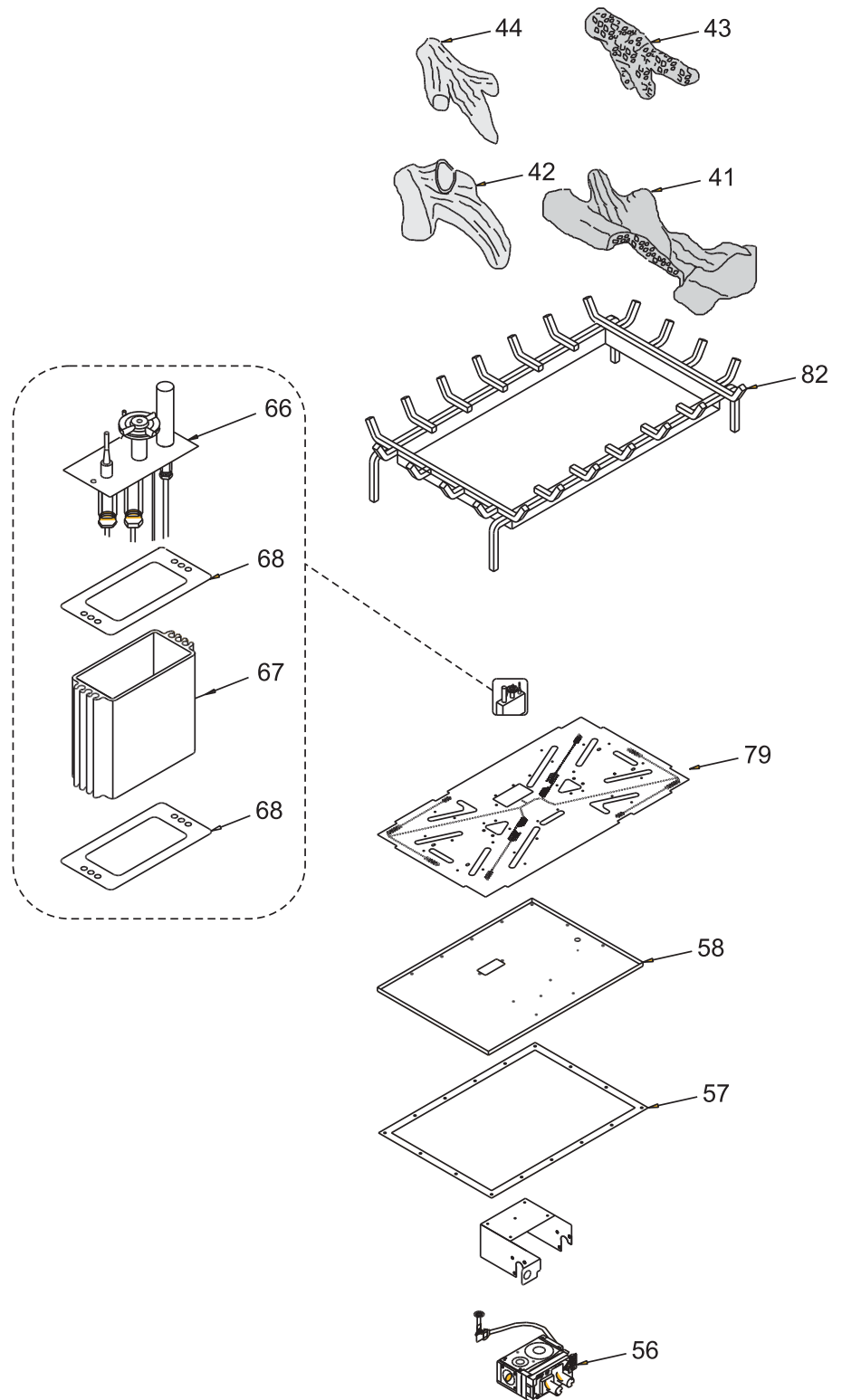


# PARTS LIST

## P121/P121LC/P121RC/P131-2 BURNER ASSEMBLY & LOG SET

Part #	Description
360-930	Log Set
41) *	Front Right Log
42) *	Front Left Log
43) *	Middle Left Log
44) *	Middle Right Log
360-574/P	Valve Assembly
56) 910-478	Valve S.I.T. - NG/LPG
57) 360-090	Gasket - Valve Tray
58) *	Valve Tray
66) 910-038	Pilot Assembly - NG
910-039	Pilot Assembly - LPG
67) *	Pilot Holder
68) W840470	Pilot Assembly Gasket
69) 910-190	Piezo Ignitor and Nut
79) 360-525	Burner Assembly
82) 360-027	Grate Assembly
904-690	Orifice #31 - NG
936-170	Orifice Gasket

\*Not available as a replacement part.





Regency Fireplace Products are designed with reliability and simplicity in mind. In addition, our internal Quality Assurance Team carefully inspects each unit thoroughly before it leaves our facility. FPI Fireplace Products International Ltd. is pleased to extend this limited lifetime warranty to the original purchaser of a Excalibur Product. This warranty is not transferable.

**The Warranty:** Limited Lifetime

The combustion chamber, heat exchanger, burner tubes/pans, logs, brick panels and gold plating (against defective manufacture only) are covered under the Limited Lifetime Warranty for five (5) years for parts and subsidized labour\* and parts only thereafter.

Glass is covered for lifetime against thermal breakage only, parts and subsidized labour\* for five (5) years and parts only thereafter from date of purchase.

External casting, surrounds and grills are covered against cracks and warps resulting from manufacturer defects, parts and subsidized labour\* for three (3) years from the date of purchase and parts only thereafter.

Special Finishes - One year on brushed nickel and antique copper full screens and doors. You can expect some changes in color as the product "ages" with constant heating and cooling. FPI warrants the product for any manufacturing defects on the original product. However, the manufacturers warranty does not cover changing colors and marks, ie. finger prints, etc applied after the purchase of the product. Damage from the use of abrasive cleaners is not covered by warranty.

Electrical and mechanical components such as blowers, switches, wiring, thermodiscs, FPI remote controls, spill switches, thermopiles, thermocouples, pilot assembly components, and gas valves are covered for two years parts and one year subsidized labour\* from the date of purchase. Blowers and valves replaced under warranty are considered repairs and continue as if new with appliance. ie. twelve (12) months from original purchase date of appliance with a minimum of three (3) months coverage from date of replacement.

FPI venting components are covered parts and subsidized labour\* for three (3) years from date of purchase.

Simpson Dura-Vent venting components (Direct Vent units) are covered by Simpson Dura-Vent Inc. warranty.

Repair/replacement parts purchased by the consumer from FPI after the original coverage has expired on the unit will carry a 90 day warranty, valid with a receipt only. Any item shown to be defective will be repaired or replaced at our discretion. No labor coverage is included with these parts.

**Conditions:**

Any part or parts of this unit which in our judgement show evidence of such defects will be repaired or replaced at FPI's option, through an accredited distributor or agent provided that the defective part be returned to the distributor or agent **Transportation Prepaid**, if requested.

Porcelain/Enamel - Absolute perfection is either guaranteed nor commercially possible. Any chips must be reported and inspected by an authorized dealer within three days of installation. Reported damage after this time will be subject to rejection.

It is the general practice of FPI to charge for larger, higher priced replacement parts and issue credit once the replaced component has been returned to FPI and evaluated for manufacturer defect.

The authorized selling dealer is responsible for all in-field service work carried out on your Regency product. FPI will not be liable for results or costs of workmanship from unauthorized service persons or dealers.

At all times FPI reserves the right to inspect product in the field which is claimed to be defective.

All claims must be submitted to FPI by authorized selling dealers. It is essential that all submitted claims provide all of the necessary information including customer name, purchase date, serial #, type of unit, problem, and part or parts requested, without this information the warranty will be invalid.

**Exclusions:**

This limited Lifetime Warranty does not extend to or include paint, door or glass gasketing or trim.

At no time will FPI be liable for any consequential damages which exceed the purchase price of the unit. FPI has no obligation to enhance or modify any unit once manufactured. ie. as products evolve, field modifications or upgrades will not be performed.

FPI will not be liable for travel costs for service work.

Installation and environmental problems are not the responsibility of the manufacturer and therefore are not covered under the terms of this warranty policy.

Embers, rockwool, gaskets, door handles and paint are not covered under the terms of this warranty policy.

Any unit which shows signs of neglect or misuse is not covered under the terms of this warranty policy.

The warranty will not extend to any part which has been tampered with or altered in any way, or in our judgment has been subject to misuse, improper installation, negligence or accident, spillage or downdrafts caused by environmental or geographical conditions, inadequate ventilation, excessive offsets, negative air pressure caused by mechanical systems such as furnaces, fans, clothes dryer, etc.

Freight damage to stoves and replacement parts is not covered by warranty and is subject to a claim against the freight carrier by the dealer.

FPI will not be liable for acts of God, or acts of terrorism, which cause malfunction of the appliance.

Performance problems due to operator error will not be covered by this warranty policy.

Products made or provided by other manufacturers and used in conjunction with the operation of this appliance without prior authorization from FPI, may nullify your warranty on this product.

Any alteration to the unit which causes sooting or carboning that results in damage to the interior / exterior facia is not the responsibility of FPI.



Regency® fireplace products are designed with reliability and simplicity in mind. In addition, our internal Quality Assurance Team carefully inspects each unit thoroughly before it leaves our door.

Fireplace Products International Ltd. is pleased to extend this Limited Lifetime Warranty to the original purchaser of a Regency® Product.

See the inside back cover for details.

Register your Regency® online at <http://www.regency-fire.com>

*Installer: Please complete the following information*

Dealer Name & Address: \_\_\_\_\_

\_\_\_\_\_

Installer: \_\_\_\_\_

Phone #: \_\_\_\_\_

Date Installed: \_\_\_\_\_

Serial No.: \_\_\_\_\_